

# Impact-P 101A



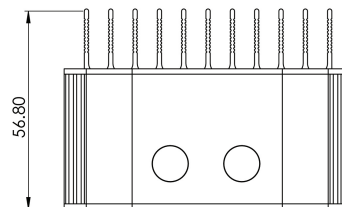
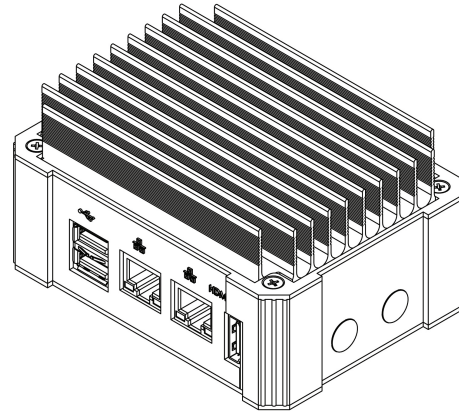
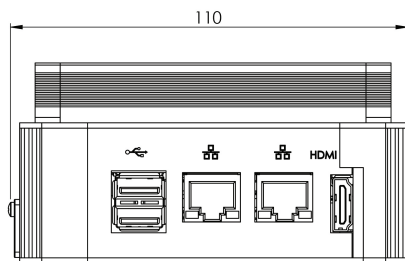
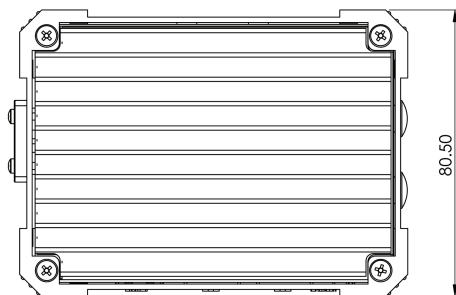
## Features

The IoT Edge ready Impact-P 101A is an ultra-compact, DIN Rail mountable, low power embedded system, utilising the superb Intel Atom E3940 processing technology.

Key features:

- 3 year warranty
- 15 year life cycle
- DIN Rail Mount

## Dimensions



## Impact-P 101A

### Specifications

The information is believed to be accurate. However Amplicon Liveline Limited accepts no responsibility for any problems caused by errors and omissions. Specifications are subject to change without notice.

|                          |  |                         |  |
|--------------------------|--|-------------------------|--|
| Hardware Specification   | CPU: Intel Atom E3940 SOC<br>Main memory: 4GB LPDDR4<br>LAN: Dual integrated 10/100/1000   | Environmental Operation | Acoustic noise: Near silent operation<br>Operating Temperature: -40°C to 85°C (with wide temp components)<br>Humidity: 0 to 95% non-condensing |
| BIOS                     | AMI EFI  | Environmental Storage   | Temperature: -40°C to 85°C<br>Humidity: 5% to 95% RH Non-condensing  |
| Display                  | HDMI 1.4b: up to 3840 x 2160 at 30Hz   | Certifications          | CE/UKCA  |
| Storage                  | 32GB EMMC  |                         |  |
| System Expansion         | 1 x Full size mPCIe<br>M.2 E-Key 2230 (PCIe x1, USB 2.0)   |                         |  |
| Supported O/S            | Windows 10, Windows 10 IoT, Linux  |                         |  |
| External Interfaces      | 2 x USB 3.0 Front<br>2 x RJ45 LAN<br>1 x HDMI  |                         |  |
| Main board power options | Supports DC input: 12VDC or 24VDC DC on Phoenix connector  |                         |  |
| Mechanical               | Design: Rugged compact embedded design<br>Cooling: Fanless design<br>Construction: Aluminium with carbon fibre composite<br>Colour: Black<br>Dimensions: 110 x 56.8 x 80.5mm (WxHxD)<br>Gross Weight: 400g |                         |  |

### Rear I/O plate

