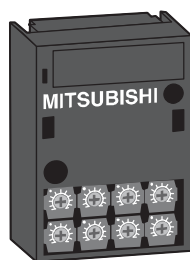


Analog setpoint adapter board FX3S FX3G FX3GC FX3GE FX3U FX3UC



Connector side

Analog setpoint adapter FX3G-8AV-BD

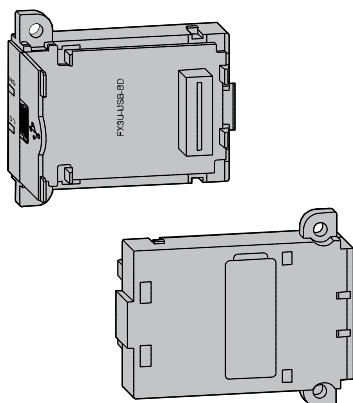
The FX3G-8AV-BD analog setpoint adapter enables the user to set 8 analog setpoint values. The analog values of the potentiometers are read into the controller and used as default setpoint values for timers, counters and data registers by the user's PLC programs.

Setpoint value polling and the definition of the potentiometer scales are performed in the PLC program using the dedicated instructions VRRD/VRSC (FNC85/86).

The analog setpoint adapter is installed in the expansion slot of the FX3S/FX3G resp. FX3GE CPU. No additional power supply is required for operation.

Specifications	FX3G-8AV-BD	
Applicable for	Base units FX3S/FX3G/FX3GE	
Power supply	From base unit	
Adjusting range	8 Bit	
Related I/O points	0	
Potentiometer evaluation	Via application instruction from the PLC CPU (FNC 85/86)	
Weight	kg	0.02
Dimensions (WxHxD)	mm	35x51.2x12
Order information	Art. no.	221267

Communications adapter board FX3S FX3G FX3GC FX3GE FX3U FX3UC

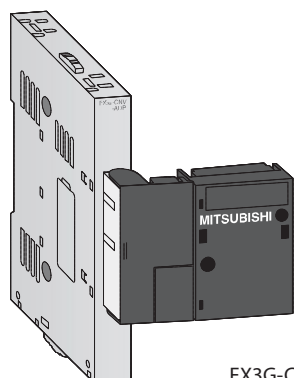


Adapter board FX3U-USB-BD

This adapter board allows direct USB 2.0 connection to the front of the FX3U PLC for program maintenance.

Specifications	FX3U-USB-BD	
Applicable for	Base units FX3U	
Power supply	5 V DC (from base unit)	
Weight	kg	0.02
Dimensions (WxHxD)	mm	19.6x46.1x53.5
Order information	Art. no.	165284

Expansion adapters FX3S FX3G FX3GC FX3GE FX3U FX3UC



FX3G-CNV-ADP

Expansion adapters FX3G-CNV-ADP, FX3S-CNV-ADP, FX3U-CNV-BD

The below listed expansion adapters enable the connection of the adapter modules

FX□□-□□□ADP on the left hand side of the FX3S, FX3G and FX3U base units.

Specifications	FX3G-CNV-ADP	FX3S-CNV-ADP	FX3U-CNV-BD
Applicable for	Base units FX3G	Base units FX3S	Base units FX3U
Weight	kg	0.1	0.01
Dimensions (WxHxD)	mm	90x14.6x86	19.6x46.1x53.5
Order information	Art. no.	221268	267132
			165285