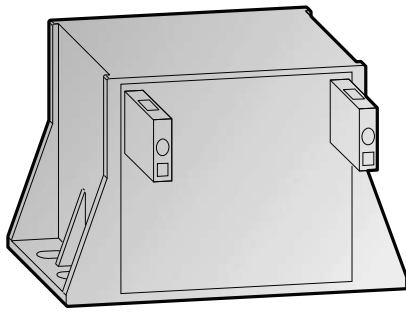


DC chokes



DC link chokes

The FFR-HEL DC chokes meets the requirements of the EN 61558 standard. The IP20 version is soaked and cast into a housing with resin.

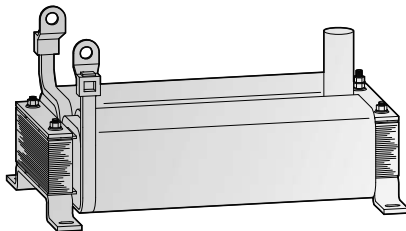
By adding the optional DC choke to the inverter system, compliance to EN61000-3-12 can be reached.

3

Accessories

Choke	Motor output power [kW]	Power loss [W]	Weight [kg]	Protective structure	Art. no.
200 V type	FFR-HEL-0.4K-E	0.4	9.8	IP20	238357
	FFR-HEL-0.75K-E	0.75	12.3		238358
	FFR-HEL-1.5K-E	1.5	19.1		238359
	FFR-HEL-2.2K-E	2.2	19.6		238360
	FFR-HEL-3.7K-E	3.7	19.8		238361
	FFR-HEL-5.5K-E	5.5	31.3		238362
	FFR-HEL-7.5K-E-1	7.5	30.4		283575
	FFR-HEL-11K-E-1	11	32.5		283576
	FFR-HEL-15K-E-1	15	32.5		283577
	FFR-HEL-18.5K-E	18.5	37.2		238366
	FFR-HEL-22K-E	22	44.1		238367
	FFR-HEL-30K-E	30	60.8		238368
	FFR-HEL-37K-E	37	58.8		238369
	FFR-HEL-45K-E	45	72.4		238370
FFR-HEL-55K-E	55	65.5	238371		
400 V type	FFR-HEL-H0.4K-E	0.4	8.8	IP20	238342
	FFR-HEL-H0.75K-E	0.75	9.4		238343
	FFR-HEL-H1.5K-E	1.5	15.2		238344
	FFR-HEL-H2.2K-E	2.2	17.8		238345
	FFR-HEL-H3.7K-E	3.7	19.4		238346
	FFR-HEL-H5.5K-E	5.5	19.5		238347
	FFR-HEL-H7.5K-E	7.5	25.4		238348
	FFR-HEL-H11K-E	11	24.9		238349
	FFR-HEL-H15K-E	15	33.5		238350
	FFR-HEL-H18.5K-E-1	18.5	34.6		283571
	FFR-HEL-H22K-E-1	22	40.5		283572
	FFR-HEL-H30K-E-1	30	48.7		283573
	FFR-HEL-H37K-E-1	37	44.3		283574
	FFR-HEL-H45K-E	45	64.6		238355
FFR-HEL-H55K-E	55	72.6	238356		

DC chokes



DC link chokes

In 700 series a DC choke is included as standard.

In 800 series a DC choke need to be ordered separately, based on the motor kW. This is mandatory from 75 kW and above.

Choke	Motor output power [kW]	Power loss [W]	Weight [kg]	Protective structure	Art. no.
200 V type	FR-HEL-75K	75	130	IP00	275836
	FR-HEL-90K	90	130		275837
	FR-HEL-110K	110	160		275838
400 V type	FR-HEL-H75K	75	130		273304
	FR-HEL-H90K	90	130		273305
	FR-HEL-H110K	110	140		273306
	FR-HEL-H132K	132	140		273307
	FR-HEL-H160K	160	170		273308
	FR-HEL-H185K	185	230		273309
	FR-HEL-H220K	220	240		273310
	FR-HEL-H250K	250	270		273311
	FR-HEL-H280K	280	300		273312
	FR-HEL-H315K	315	360		273313
	FR-HEL-H355K	355	360		273314