

DESCRIPTION							MOUNTING HOLE			BUSHINGS	
MICRO P/N	UL/CSA DESCRIPTION	CROSS SECTION	CABLE SIZE	CABLE TYPE	GAUGE (AWG)	STRAP TYPE	DIA A	FLATS B	MAX PANEL TH C	LENGTH D	WIDTH E
23MP04K40	MP4K4	FLAT	.120 X .300 (3,0 X 7,6)	SPT-1 SPT-2 HPN	18/3 18/2 18/2	Y	.500 (12,7)	.465 (11,8)	.100 (2,5)	.406 (10,3)	.565 (14,3)
23MP04L40	MP4L4	FLAT	.120 X .300 (3,0 X 7,6)	SPT-1 SPT-2 HPN	18/3 18/2 18/2	Y	.500 (12,7)	.465 (11,8)	.156 (3,9)	.406 (10,3)	.578 (14,7)
23MP04N40	MP4N4	FLAT	.120 X .300 (3,0 X 7,6)	SPT-1 SPT-2 HPN	18/3 18/2 18/2	Y	.500 (12,7)	.465 (11,8)	.062 (1,6)	.406 (10,3)	.578 (14,7)
23MP04J40	MP4J4	FLAT	.120 X .300 (3,0 X 7,6)	SPT-1 SPT-2 HPN	18/3 18/2 18/2	Y	.500 (12,7)	.465 (11,8)	.032 (0,8)	.406 (10,3)	.578 (14,7)
23MP05K40	MP5K4	FLAT	.150 X .400 (3,8 X 10,1)	SPT-2	16/2	Y	.562 (14,3)	.530 (13,5)	.125 (3,2)	.609 (15,5)	.625 (15,9)

(A)

D

D

C

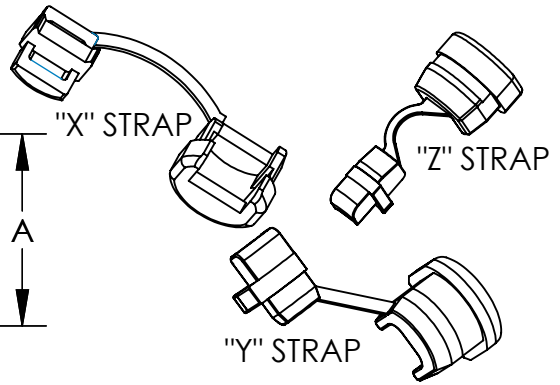
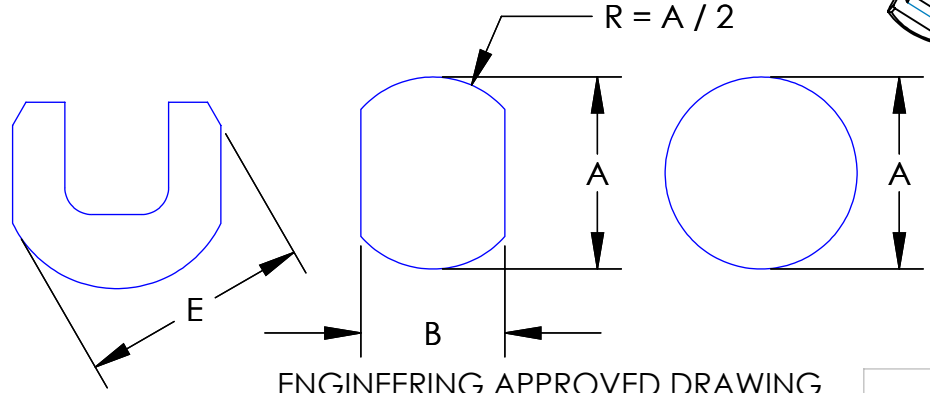
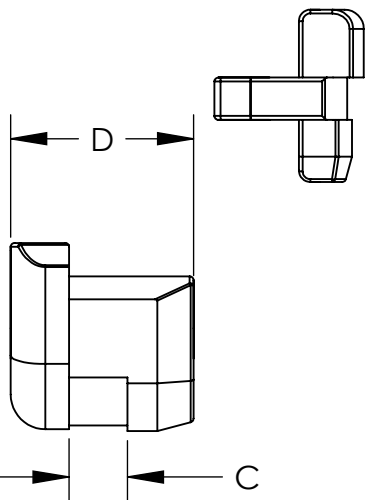
C

B

B

A

A



TOLERANCES UNLESS NOTED

- ±.005 ON DIMENSIONS THRU .625
- ±.008 ON DIMENSIONS .626 THRU 1.000
- ±.010 ON DIMENSIONS 1.001 THRU 1.500
- ±.015 ON DIMENSIONS LARGER THAN 1.500
- ±.015 ON FRACTIONAL DIMENSIONS

ENGINEERING APPROVED DRAWING
RELEASE LEVEL DATE

REV.	WAS	BY	DATE
A	.578 [14,7]	TA	03/02/10

PRINT 7 OF 16
PROPERTY OF
MICRO PLASTICS INC.

CATALOG PRINT
STRAIN RELIEF
JOB N/A
CUSTOMER P/N N/A
MICRO P/N AS NOTED
DWG 23MP_ FILE SERVER\ENG

MATERIAL: HEAT STABILIZED NYLON BLACK
DATE: 03/26/03 SCALE: NONE
TA