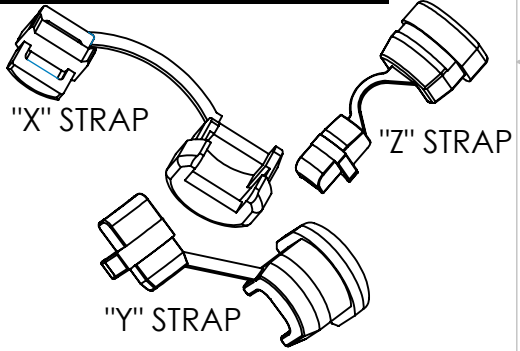
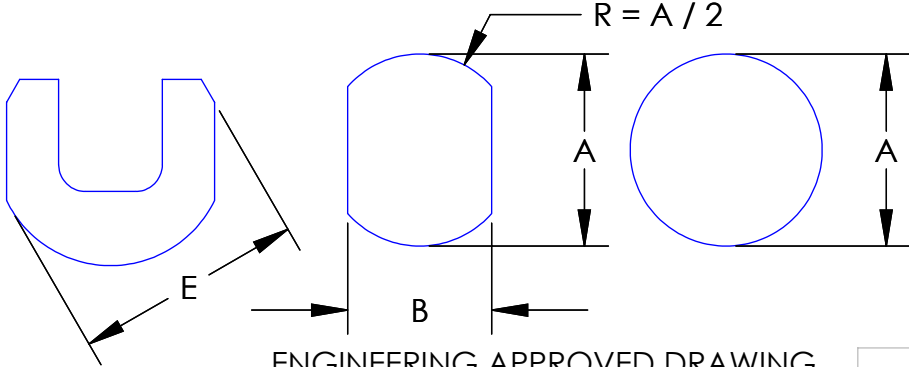
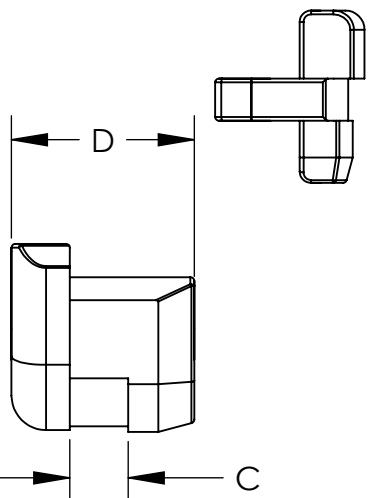


DESCRIPTION							MOUNTING HOLE		BUSHINGS			
MICRO P/N	UL/CSA DESCRIPTION	CROSS SECTION	CABLE SIZE	CABLE TYPE	GAUGE (AWG)	STRAP TYPE	DIA. A	FLATS B	MAX PANEL TH C	LENGTH D	WIDTH E	
23MP05KN4	MP5KN4	FLAT	0.150 X 0.400 (3,8 X 10,1)	SPT-2	18/3	Y	0.562 (14,3)	0.530 (13,5)	0.062 (1,6)	0.609 (15,5)	0.625 (15,9)	
			0.160 X 0.300 (4,1 X 7,6)	SPT-2	16/2							
23MP05N40	MP5N4	ROUND	0.250 (6,4)	SV	18/2	Y	0.500 (12,7)	0.450 (11,4)	0.062 (1,6)	0.448 (11,4)	0.578 (14,7)	
			0.255 (6,5)	SVT	18/2							
			0.290 (7,4)	SV	18/3			0.500 X 0.515 (12,7 X 13,1)			ⓑ	
				SVT	18/3			0.500 X 0.515 (12,7 X 13,1)				
23MP05P40	MP5P4	ROUND	0.250 (6,4)	SV	18/2	Y	0.500 (12,7)	0.450 (11,4)	0.100 (2,5)	0.448 (11,4)	0.578 (14,7)	
			0.255 (6,5)	SVT	18/2							
			0.290 (7,4)	SV	18/3			0.500 X 0.515 (12,7 X 13,1)			Ⓐ	
				SVT	18/3			0.500 X 0.515 (12,7 X 13,1)				



ENGINEERING APPROVED DRAWING  
RELEASE LEVEL DATE

REV.	WAS	BY	DATE
A	.438 (11,1)	DB	2/13/09
B	.438 (11,1)	TA	05/05/09

PRINT 8 OF 16  
PROPERTY OF  
**MICRO PLASTICS INC.**

CATALOG PRINT  
STRAIN RELIEF  
JOB N/A  
CUSTOMER P/N N/A  
MICRO P/N AS NOTED  
DWG 23MP\_ FILE SERVER\ENG

MATERIAL: HEAT STABILIZED NYLON BLACK

DATE 03/26/03 SCALE NONE TA

**TOLERANCES UNLESS NOTED**

- ±.005 ON DIMENSIONS THRU .625
- ±.008 ON DIMENSIONS .626 THRU 1.000
- ±.010 ON DIMENSIONS 1.001 THRU 1.500
- ±.015 ON DIMENSIONS LARGER THAN 1.500
- ±.015 ON FRACTIONAL DIMENSIONS