

DESCRIPTION							MOUNTING HOLE		BUSHINGS		
MICRO P/N	UL/CSA DESCRIPTION	CROSS SECTION	CABLE SIZE	CABLE TYPE	GAUGE (AWG)	STRAP TYPE	DIA. A	FLATS B	MAX PANEL TH C	LENGTH D	WIDTH E
23MP05W10	MP5W1	FLAT	0.120 X 0.300 (3,0 X 7,6)	SPT-2	18/3	Y	0.562 (14,3)	0.530 (13,5)	0.125 (3,2)	0.609 (15,5)	0.625 (15,9)
			0.160 X 0.300 (4,1 X 7,6)	SPT-2	16/2						
			0.160 X 0.410 (4,1 X 10,4)	SPT-2	16/3						
			0.160 X 0.370 (4,1 X 9,4)	HPN	16/3						
23MP06N34	MP6N34	ROUND	0.355 (9,0)	SJ	16/3	Y	0.625 (15,9)	0.550 (14,0)	0.062 (1,6)	0.595 (15,1)	0.703 (17,9)
			0.405 (10,2)	SJT	18/3						
			0.430 (10,9)	SJT	16/3						

D

D

C

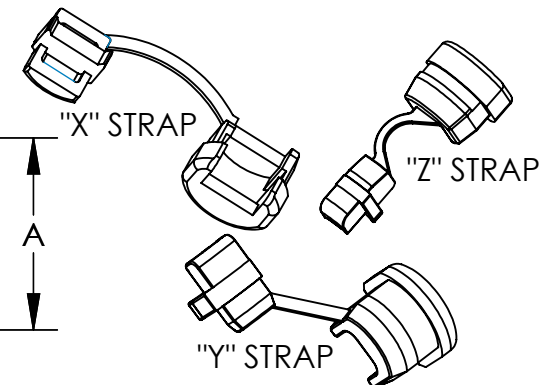
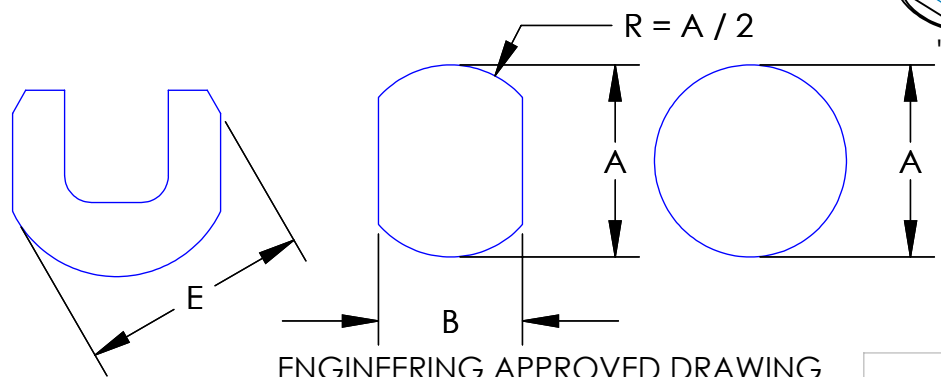
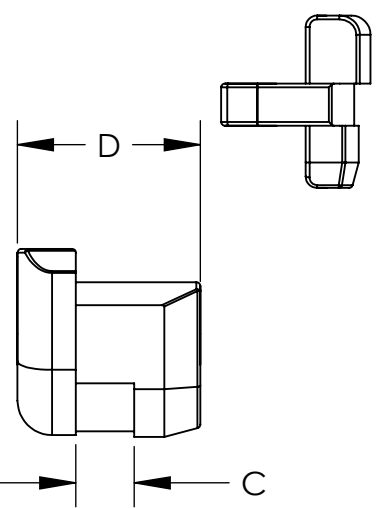
C

B

B

A

A



PRINT 9 OF 16

TOLERANCES UNLESS NOTED

- ±.005 ON DIMENSIONS THRU .625
- ±.008 ON DIMENSIONS .626 THRU 1.000
- ±.010 ON DIMENSIONS 1.001 THRU 1.500
- ±.015 ON DIMENSIONS LARGER THAN 1.500
- ±.015 ON FRACTIONAL DIMENSIONS

ENGINEERING APPROVED DRAWING
RELEASE LEVEL DATE

REV.	WAS	BY	DATE
A	.580 (14,7)	TA	02/19/09

PROPERTY OF
MICRO PLASTICS INC.

CATALOG PRINT
STRAIN RELIEF
JOB N/A
CUSTOMER P/N N/A
MICRO P/N AS NOTED
DWG 23MP_ FILE SERVER\ENG

MATERIAL:	HEAT STABILIZED NYLON BLACK	
DATE	SCALE	TA
03/26/03	NONE	