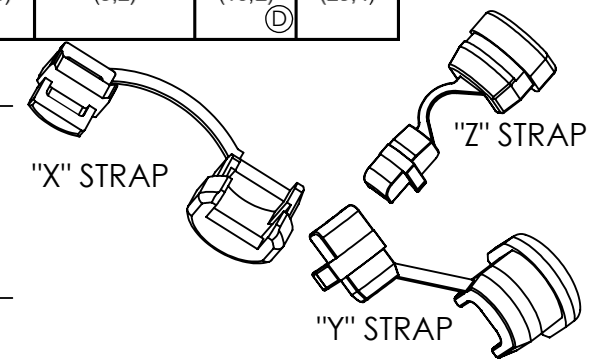
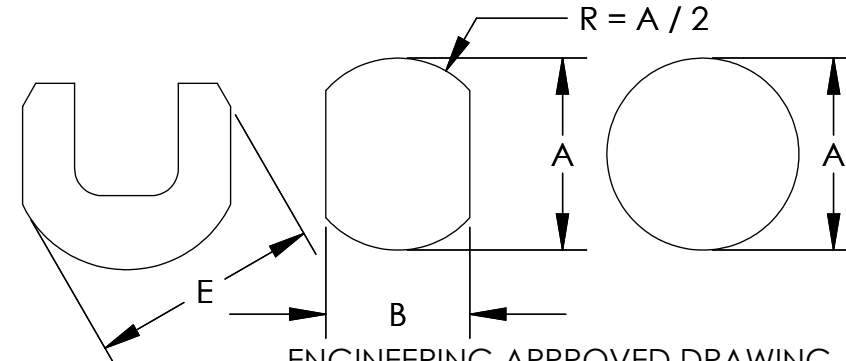
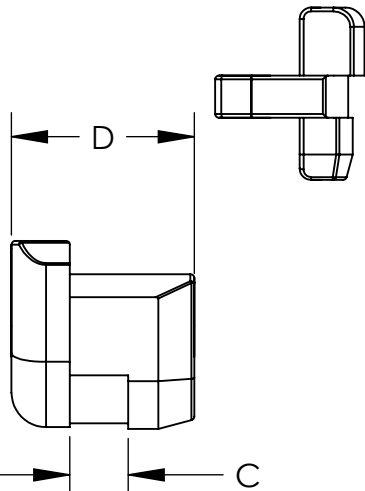


DESCRIPTION							MOUNTING HOLE		BUSHINGS		
MICRO P/N	UL/CSA DESCRIPTION	CROSS SECTION	CABLE SIZE	CABLE TYPE	GAUGE (AWG)	STRAP TYPE	DIA. A	FLATS B	MAX PANEL TH C	LENGTH D	WIDTH E
23MP06N45	MP6N45	FLAT	0.120 X 0.300 (3,0 X 7,6)	SPT-1	18/3	Y	0.625 (15,9)	0.545 (13,8)	0.032 (,8) F	0.590 (14,9) E	0.690 (17,5)
23MP06P34	MP6P34	ROUND	0.325 X 0.360 (8,3 X 9,1)	SJ SJT SJO	18/3 16/3, 18/3 18/3	Y	0.625 (15,9)	0.550 (14,0)	0.125 (3,2)	0.595 (15,1) A	0.703 (17,9)
23MP06P35	MP6P35	ROUND	0.325 X 0.360 (8,3 X 9,1)	SJ SJT SJO	18/2, 18/3, 16/2 16/2, 18/2 18/2, 16/2, 18/3	Y	0.625 (15,9)	0.550 (14,0)	0.125 (3,2)	0.595 (15,1) C	0.703 (17,9)
23MP06L10	MP6L1	ROUND	0.325 X 0.430 (8,3 X 10,9)	SJ SJT SJO	18/2, 18/3 16/2, 16/3	Z	0.625 (15,9)	0.550 (14,0)	0.125 (3,2)	0.666 (16,9)	0.725 (18,4)
23MP06P40	MP6P4	ROUND	0.300 (7,6)	SJ SJT SJO	18/2 18/2 18/2	Y	0.625 (15,9)	0.550 (14,0)	0.125 (3,2)	0.590 (14,9) B	0.703 (17,9)
23MP06W10	MP6W1	ROUND	0.300 (7,6)	SJ SJT SJO	18/2 18/2 18/2	Y	0.500 (12,7)	0.465 (11,8)	0.090 (2,3)	0.437 (11,1)	0.563 (14,3)
23MP07K20	MP7K2	ROUND	0.325 X 0.360 (8,3 X 9,1)	SJ SJT SJO	18/4, 16/2, 16/3, 14/2 18/3, 16/3 14/2, 16/3, 18/4	Z	0.875 (22,2)	0.770 (19,6)	0.125 (3,2)	0.755 (19,2) D	0.922 (23,4)



TOLERANCES UNLESS NOTED

- ±.005 ON DIMENSIONS THRU .625
- ±.008 ON DIMENSIONS .626 THRU 1.000
- ±.010 ON DIMENSIONS 1.001 THRU 1.500
- ±.015 ON DIMENSIONS LARGER THAN 1.500
- ±.015 ON FRACTIONAL DIMENSIONS

ENGINEERING APPROVED DRAWING
RELEASE LEVEL DATE

REV.	WAS	BY	DATE
A	.580 (14,7)	DB	2/13/09
B	.580 (14,7)	TA	06/09/09
C	.580 (14,7)	TA	06/09/09
D	.750 (19,1)	TA	06/30/09
E	.600 (15,2)	TA	06/16/11
F	.062 (1,6)	TA	06/16/11

PRINT 11 OF 16

PROPERTY OF
MICRO PLASTICS INC.

CATALOG PRINT
STRAIN RELIEF
JOB N/A
CUSTOMER P/N N/A
MICRO P/N AS NOTED
DWG 23MP_ FILE SERVER\ENG

MATERIAL: HEAT STABILIZED NYLON BLACK

DATE 03/26/03	SCALE NONE	TA
------------------	---------------	-----------