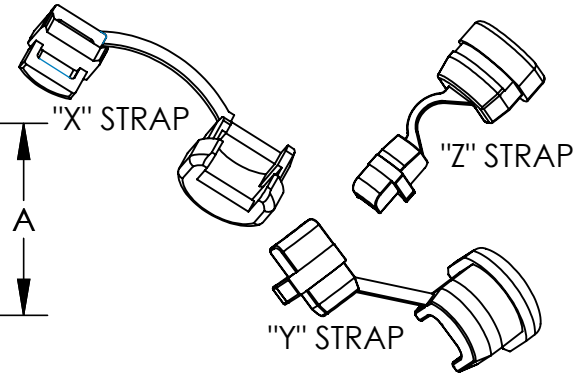
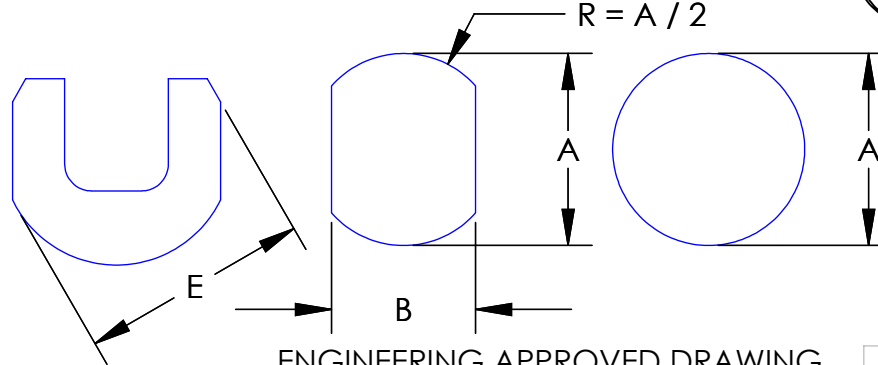
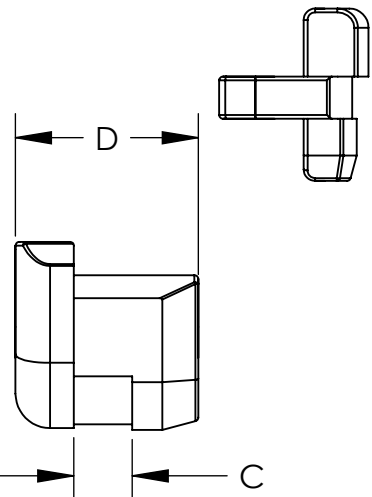


DESCRIPTION							MOUNTING HOLE		BUSHINGS		
MICRO P/N	UL/CSA DESCRIPTION	CROSS SECTION	CABLE SIZE	CABLE TYPE	GAUGE (AWG)	STRAP TYPE	DIA. A	FLATS B	MAX PANEL TH C	LENGTH D	WIDTH E
23MP07K30	MP7K3	ROUND	0.325 X 0.360	SJ	18/3, 16/2	Z	0.875	0.770	0.125	0.750	0.922
			(8,3 X 9,1)	SJT	16/2		(22,2)	(19,6)	(3,2)	(19,1)	(23,4)
				SJO	18/3, 16/2						
23MP07P30	MP7P3	FLAT	0.160 X 0.410 (4,1 X 10,4)	SPT-2	16/3	Z	0.736 (18,7)	0.657 (16,7)	0.125 (3,2)	0.590 (14,9)	0.785 (19,9)
23MP07W20	MP7W2	ROUND	0.370 X 0.425	SJT	14/3	Z	0.875	0.770	0.125	0.760	0.922
			(9,4 X 10,8)		12/3		(22,2)	(19,6)	(3,2)	(19,3)	(23,4)
			0.390 X 0.430	S	18/3, 16/3					(A)	
			(9,9 X 10,9)	STO	16/2, 16/3, 18/3						
23MP08P20	MP8P2	ROUND	0.530 X 0.600 (13,5 x 15,2)	S ST	14/2, 14/3 12/2	Z	0.875 (22,2)	0.840 (21,3)	0.125 (3,2)	0.812 (20,6)	0.922 (23,4)
23MP30-10	MP30-1	FLAT	0.160 X 0.410	SPT-2	16/3	Z	0.560	0.730	0.125	0.670	0.750
			(4,1 X 10,4)				(14,2)	(18,5)	(3,2)	(17,0)	(19,6)
			0.120 X 0.300	SPT-1			(B)	(C)			
			(3,0 X 7,6)								



TOLERANCES UNLESS NOTED

- ±.005 ON DIMENSIONS THRU .625
- ±.008 ON DIMENSIONS .626 THRU 1.000
- ±.010 ON DIMENSIONS 1.001 THRU 1.500
- ±.015 ON DIMENSIONS LARGER THAN 1.500
- ±.015 ON FRACTIONAL DIMENSIONS

ENGINEERING APPROVED DRAWING
RELEASE LEVEL DATE

REV.	WAS	BY	DATE
A	.750 (19,1)	TA	05/13/09
B	.730 (18,5)	TA	08/17/10
C	.560 (14,2)	TA	08/17/10

PRINT 12 OF 16
PROPERTY OF
MICRO PLASTICS INC.

CATALOG PRINT
STRAIN RELIEF
JOB N/A
CUSTOMER P/N N/A
MICRO P/N AS NOTED
DWG 23MP_ FILE SERVER\ENG

MATERIAL: HEAT STABILIZED NYLON BLACK

DATE: 03/26/03 SCALE: NONE TA