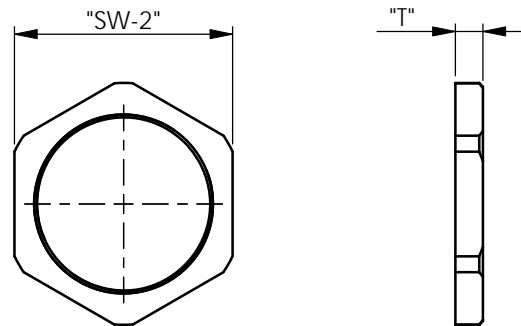
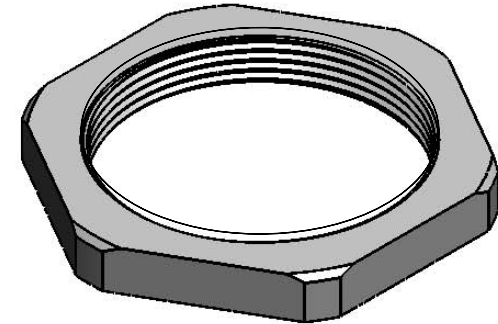


ALTERNATE UNITS FOR REFERENCE ONLY

REV.	MODIFICATION.	DATE	DRN
01	Production release	19/01/10	MT
02	CO2010958	15/07/10	MT

PART NUMBER COLOUR: GREY RAL 7035 SPECIAL ORDER NAFTA	PART NUMBER COLOUR: BLACK RAL 9005 SPECIAL ORDER EU	THREAD SIZE	"SW-2" ±0.5[.020]	"T" REF
CGLN-M12	CGLN-M12-BK	M12	17[.669]	5[.197]
CGLN-M16	CGLN-M16-BK	M16	22[.866]	
CGLN-M20	CGLN-M20-BK	M20	27[1.063]	6[.236]
CGLN-M25	CGLN-M25-BK	M25	32[1.260]	
CGLN-M32	CGLN-M32-BK	M32	41[1.614]	7[.276]
CGLN-M40	CGLN-M40-BK	M40	50[1.969]	
CGLN-PG7	CGLN-PG7-BK	PG7	19[.748]	5[.197]
CGLN-PG9	CGLN-PG9-BK	PG9	22[.866]	
CGLN-PG11	CGLN-PG11-BK	PG11	24[.945]	
CGLN-PG13.5	CGLN-PG13.5-BK	PG13.5	27[1.063]	6[.236]
CGLN-PG16	CGLN-PG16-BK	PG16	30[1.181]	
CGLN-PG21	CGLN-PG21-BK	PG21	36[1.417]	7[.276]
CGLN-PG29	CGLN-PG29-BK	PG29	46[1.811]	
CGLN-PG36	CGLN-PG36-BK	PG36	60[2.362]	8[.315]
*CGLN-NPT-3/8	CGLN-NPT-3/8-BK	NPT-3/8	22[.866]	5[.197]
*CGLN-NPT-1/2	CGLN-NPT-1/2-BK	NPT-1/2	27[1.063]	6[.236]
*CGLN-NPT-3/4	CGLN-NPT-3/4-BK	NPT-3/4	36[1.417]	7[.276]
*CGLN-NPT-1	CGLN-NPT-1-BK	NPT-1	42[1.654]	
*SPECIAL ORDER EU REGION				



NOTES:
TEMPERATURE RANGE -20°C TO +100°C

INFORMATION CONTAINED IN THIS DOCUMENT IS CONFIDENTIAL TO RICHCO INTERNATIONAL Co. Ltd. AND MAY NOT BE DISCLOSED OR REPRODUCED IN WHOLE OR PART WITHOUT THEIR WRITTEN CONSENT.

RICHCO, INC. WWW.RICHCO-INC.COM	ALL DIMENSIONS IN mm[inch] GENERAL TOLERANCES UNLESS OTHERWISE STATED 1 DECIMAL PLACE ± 2 DECIMAL PLACES ± ANGULAR ±1°	THIRD ANGLE

MATERIAL: NYLON 6 GF30 (RMS-044)	COLOUR: SEE TABLE
-------------------------------------	----------------------

DESCRIPTION: CABLE GLAND LOCK NUTS	PART No: CGLN-XX
---------------------------------------	---------------------

DRG No: 09-112	NPR No: EU09-0034	SHEET SIZE A4
-------------------	----------------------	------------------

DRN MT	DATE 09/04/09	CHKD TC	DATE 08/10/09	SCALE NTS	SHEET No. 1 OF 1
-----------	------------------	------------	------------------	--------------	---------------------