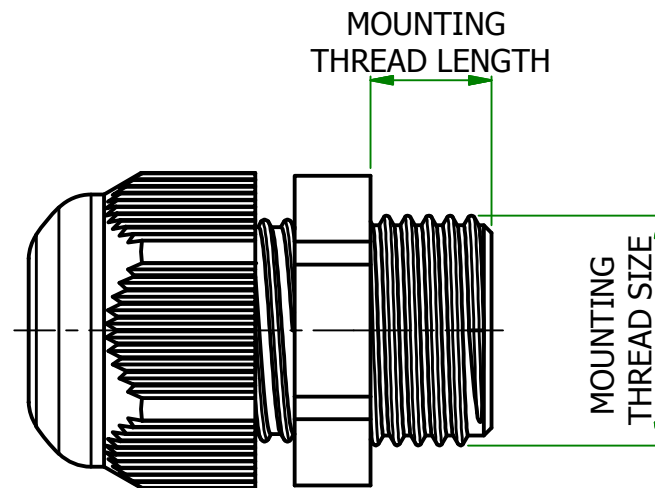
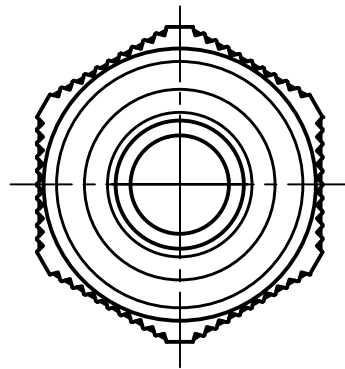


© 2011 Moss Plastic Parts Ltd. All rights reserved.  
Registered in England, Company No. 547495.  
Registered Office: Avebury House,  
201-249 Avebury Boulevard, Milton Keynes, MK9 1AU

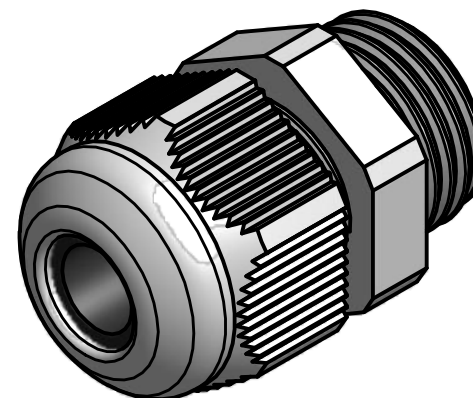
Condition of Sale can be found on our website:  
mossexpress.com. Moss Express is a trading name of Moss  
Plastic Parts Ltd.

Moss Plastic Parts Ltd does not warrant that the files will be  
error free and may create new versions ("Upgrades") at any  
time, which may correct such errors. Moss Plastic Parts Ltd  
has no obligation to notify you of such upgrades. Any  
upgraded file will be published to the website, when it  
becomes available.

You are not permitted to load any of the files on to a network  
server for the purposes of distribution to one or more other  
computer(s) on that network or to effect such distribution.  
Moss Plastic Parts Ltd shall not be liable for any loss or  
damage whatsoever or however caused, arising directly or  
indirectly from the use of the files.



ITEM	COLOUR	MOUNTING THREAD SIZE	MOUNTING THREAD LENGTH	CABLE RANGE
462614	BLACK	M20x1.5	15.0	10mm-14mm



UNCONTROLLED

UNLESS OTHERWISE STATED

ALL DIMENSIONS IN mm			DO NOT SCALE	
LINEAR TOLERANCE			THIRD ANGLE PROJECTION	
SIZE	(0)	(0.0)	(0.00)	<p>ANGULAR TOLERANCE ±0.5 DEGREES UNSPECIFIED RADII 0.25mm DRAFT ANGLE 0.5 DEGREES</p>
0-10mm	±0.5	±0.15	±0.10	
10-30mm	±0.5	±0.20	±0.15	
30-50mm	±0.5	±0.30	±0.20	
50-100mm	±0.8	±0.50	±0.25	
100-200mm	±1.5	±0.80	±0.40	
200-300mm	±2.0	±1.20	±0.80	
300-500mm	±3.0	±2.00	±1.00	
+500mm	±5.0	±3.00	±1.50	

ORG.SCALE 2:1

MATERIAL **NYLON**

ITEM No. **462614**

TITLE **NYLON CABLE GLANDS**

DWG.No. **SR1704**

ISSUE No. **1**