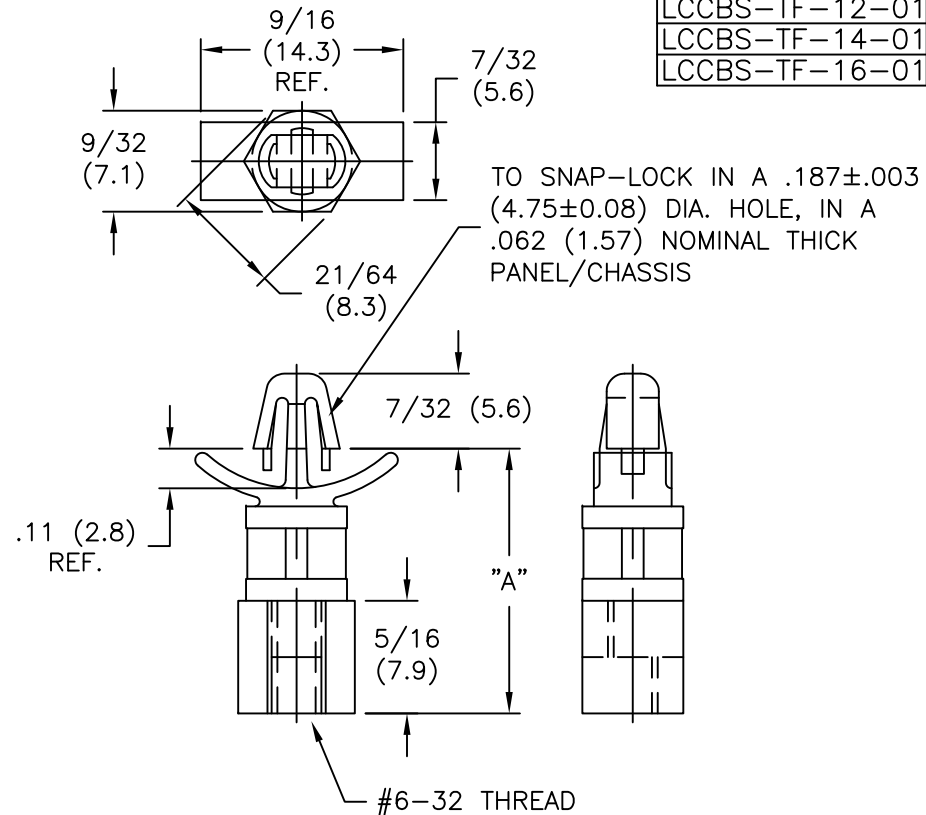


AVAILABLE BY SPECIAL ORDER ONLY

PART NO. NYLON	DIM. "A" ±.015(0.4)
LCCBS-TF-9-01	.534 (13.56)
LCCBS-TF-10-01	.672 (17.07)
LCCBS-TF-12-01	.797 (20.24)
LCCBS-TF-14-01	.922 (23.42)
LCCBS-TF-16-01	1.047 (25.40)



NOTES:

1. MATERIAL: NYLON 6/6 (RMS-01)
FLAME RETARDANT, NYLON (RMS-19),
AVAILABLE BY SPECIAL ORDER ONLY..
COLOR: NATURAL.
2. DIM. "A" WILL PRODUCE A BOARD
SPACING EQUAL TO DIM. "A" OF ANY
CORRESPONDING TM OR TF SERIES
SPACERS WHEN USED IN A .047
(1.2) PANEL THICKNESS.1
3. M-4X.70 THREAD AVAILABLE BY ADDING M4
(SPECIAL ORDER ONLY)
EXAMPLE: LCCBS-TF-M4-9-01

TITLE: LOCKING CHASSIS/CKT. BD. SUPPORT THREADED FEMALE			DWG IN IN (MM)	FINAL	PRINT TYPE CA
TOLERANCES UNLESS NOTED .XX=±.010 .XXX=±.005 FRAC=1/64 ANG=1°	FILE # LCCBS-TF	DWN: P.B.	APP:	PART #	
	MAT'L: SEE NOTES	DT: 07-06-94	DT:	SEE TABLE	
	RE: RICHCO, INC.	RICHCO INC. PO BOX 804238, CHICAGO, 60680 (773) 539-4060			
REV	DESCRIPTION	ENGR	DATE		

D	CHANGED FILE NUMBER	SM	08.07.02
C	FR-NYLON REMOVED FROM CHART	J.L.	2.24.98
B	MAT'L RMS-19 ADDED	J.L.	12.29.97
A	CHANGED CHART NAD ADD DIMS	JB	09.27.95
REV	DESCRIPTION	ENGR	DATE