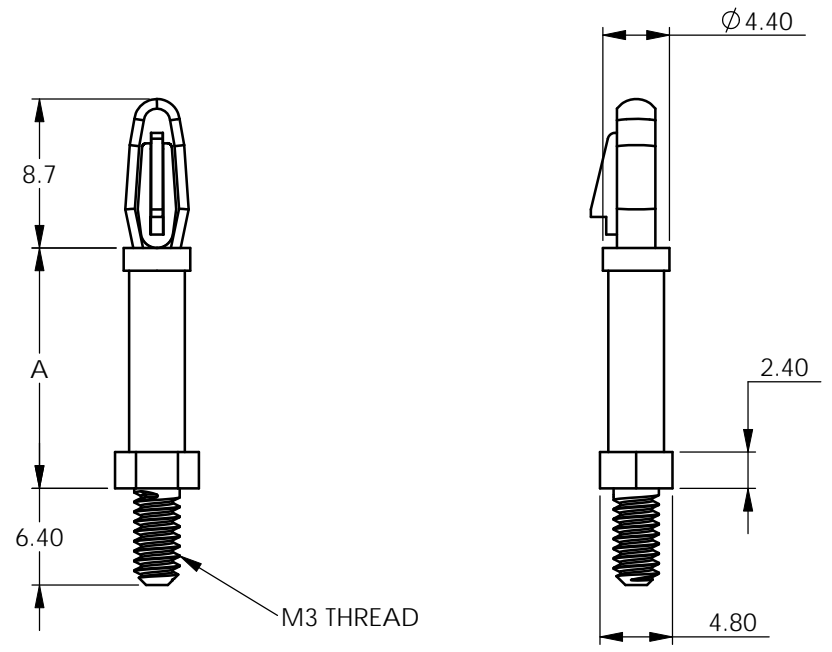


REV.	MODIFICATION.	DATE	DRN
01	CO2010997	01/10/10	SF



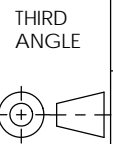
PART NUMBER		A
MATERIAL		
NYLON 6/6 UL94 V2(RMS-01)	NYLON 6/6 UL94 V0(RMS-19)	
MSCBSM-M3-2-01	MSCBSM-M3-2-19	3.2
MSCBSM-M3-3-01	MSCBSM-M3-3-19	4.8
MSCBSM-M3-4-01	MSCBSM-M3-4-19	6.4
MSCBSM-M3-5-01	MSCBSM-M3-5-19	7.9
MSCBSM-M3-6-01	MSCBSM-M3-6-19	9.5
MSCBSM-M3-7-01	MSCBSM-M3-7-19	11.1
MSCBSM-M3-8-01	MSCBSM-M3-8-19	12.7
MSCBSM-M3-9-01	MSCBSM-M3-9-19	14.3
MSCBSM-M3-10-01	MSCBSM-M3-10-19	15.9
MSCBSM-M3-12-01	MSCBSM-M3-12-19	19.1
MSCBSM-M3-16-01	MSCBSM-M3-16-19	25.4

ALTERNATE UNITS FOR REFERENCE ONLY

INFORMATION CONTAINED IN THIS DOCUMENT IS CONFIDENTIAL TO RICHCO INTERNATIONAL Co. Ltd. AND MAY NOT BE DISCLOSED OR REPRODUCED IN WHOLE OR PART WITHOUT THEIR WRITTEN CONSENT.

**RICHCO, INC.**  
WWW.RICHCO-INC.COM

ALL DIMENSIONS IN mm  
GENERAL TOLERANCES ±0.25  
UNLESS OTHERWISE STATED  
1 DECIMAL PLACE ±  
2 DECIMAL PLACES ±  
ANGULAR ±1°



MATERIAL: See table		COLOUR: NATURAL	
DESCRIPTION: MINATURE STUDDED CIRCUITBOARD SUPPORT		PART No: See Table	
DRG No: 126-0011	NPR No: XXXX-XXX	SHEET SIZE A4	
DRN SF	DATE 01/10/10	CHKD TC	DATE 01/10/10
SCALE NTS	SHEET No. 1 OF 1		