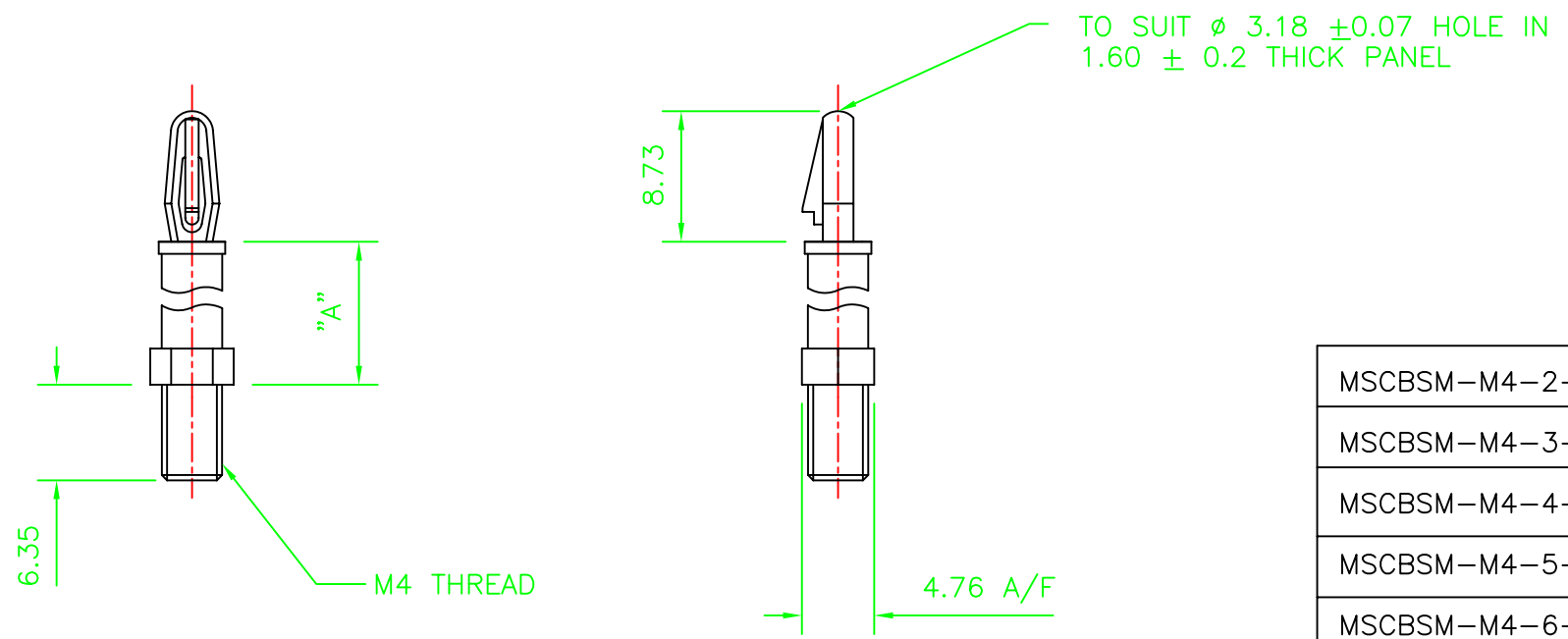


ISSUE No	REVISION	DATE	CHKD
A	NEW DWG	040195	



MSCBSM-M4-2-YY	3.18
MSCBSM-M4-3-YY	4.76
MSCBSM-M4-4-YY	6.35
MSCBSM-M4-5-YY	7.94
MSCBSM-M4-6-YY	9.53
MSCBSM-M4-7-YY	11.11
MSCBSM-M4-8-YY	12.70
MSCBSM-M4-9-YY	14.29
MSCBSM-M4-10-YY	15.88
PART No.	DIM "A"

NOTES:

- STANDARD PACK QUANTITY: 1000
- ALL DIMENSIONS IN mm

<p><small>INFORMATION CONTAINED IN THIS DOCUMENT IS CONFIDENTIAL TO RICHCO INTERNATIONAL COMPANY AND MAY NOT BE DISCLOSED OR REPRODUCED IN WHOLE OR PART WITHOUT THEIR WRITTEN CONSENT</small></p> <p>PART DESIGNED IN METRIC / <del>IMPERIAL</del></p> <p>TOLERANCES -UNLESS OTHERWISE STATED</p> <table border="1"> <tr> <td>1 PLACE</td> <td>± 0.25</td> </tr> <tr> <td>2 PLACE</td> <td>±</td> </tr> </table> <p>ANGLES ± --°</p>	1 PLACE	± 0.25	2 PLACE	±	DRN RMB	MATERIAL: SEE CHART	
	1 PLACE	± 0.25					
	2 PLACE	±					
	CHKD PG	TITLE MINIATURE STUDDED CIRCUIT BOARD SUPPORT					
	APPD	DESCRIPTION MSCBSM-M4-X-YY		SIZE A4			
SCALE NTS	DRG No 126-0021	SHEET No 1 of 1	DATE 040195				

MSCBSM-M4-X-19	NYLON 6/6 FR (RMS-19) COLOUR - NATURAL
MSCBSM-M4-X-01	NYLON 6/6 (RMS-01) COLOUR - NATURAL
PART No.	MATERIAL