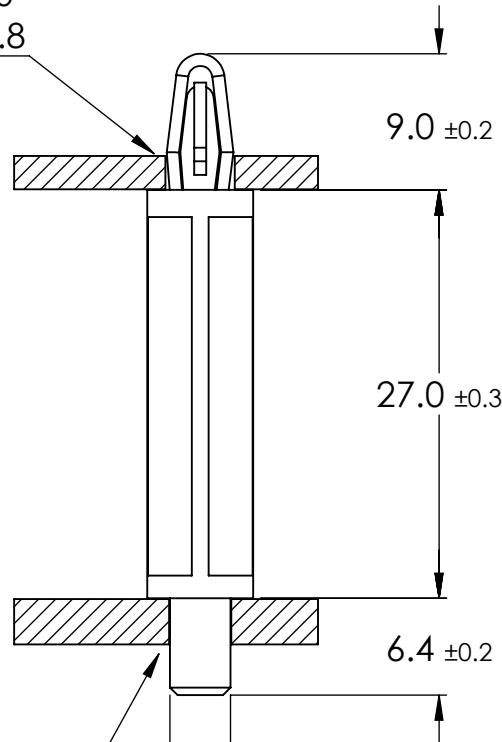
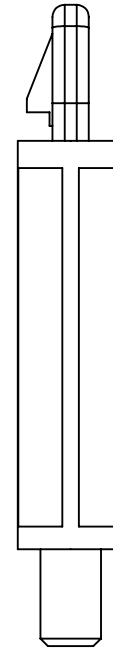
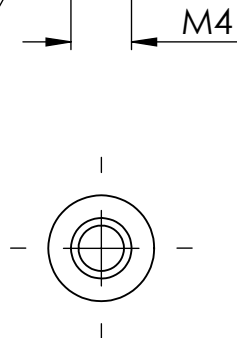


HOLE DIA: Ø4.0
 THICKNESS: MIN. 1.0
 MAX. 1.8

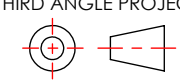


HOLE DIA: Ø4.2
 THICKNESS: MIN. 0.5
 MAX. 3.0



1:1

UNLESS OTHERWISE STATED

ALL DIMENSIONS IN mm	DO NOT SCALE
LINEAR TOLERANCE	THIRD ANGLE PROJECTION
SIZE (0) (0.0) (0.00)	
0-10mm ±0.5 ±0.15 ±0.10	ANGULAR TOLERANCE ±0.5 DEGREES UNSPECIFIED RADII 0.25mm DRAFT ANGLE 0.5 DEGREES DIMENSIONS IN BRACKETS [] ARE IN INCHES FOR REFERENCE ONLY
>10-30 ±0.5 ±0.20 ±0.15	
>30-50 ±0.5 ±0.30 ±0.20	
>50-100 ±0.8 ±0.50 ±0.25	
>100-200 ±1.5 ±0.80 ±0.40	
>200-300 ±2.0 ±1.20 ±0.80	
>300-500 ±3.0 ±2.00 ±1.00	
>500 ±5.0 ±3.00 ±1.50	

ORG. SCALE: 2:1 CREATE DATE: 06/02/2019

MATERIAL: NYLON 6/6

Part ID: 1068957 Project: P160242-1

TITLE: PCB SPACER M4 A=27

DWG. No. 100127000002 SHEET 1 of 1 ISSUE 1

APPROVED - UNCONTROLLED