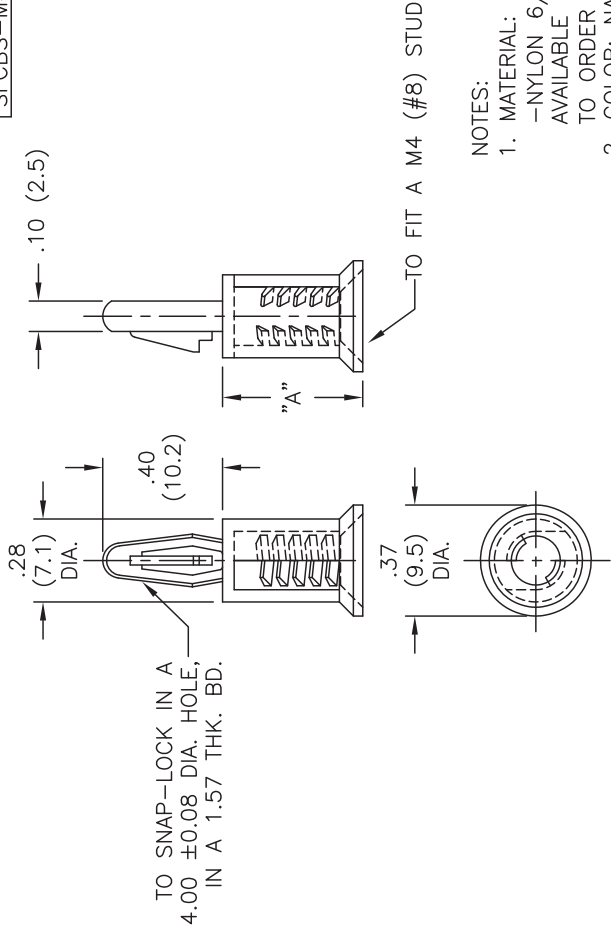


PART NO.	DIM "A" ±.015(0.4)	STUD LENGTH
SFCBS-M4-10M-01	.39 (10)	.31 (8)
SFCBS-M4-12M-01	.47 (12)	.39 (10)
SFCBS-M4-14M-01	.55 (14)	.47 (12)
SFCBS-M4-16M-01	.63 (16)	.55 (14)
SFCBS-M4-18M-01	.71 (18)	.63 (16)
SFCBS-M4-20M-01	.79 (20)	.71 (18)



NOTES:
 1. MATERIAL: NYLON 6/6 UL94 V-2 (RMS-01).
 -NYLON 6/6 UL94 V-0 (RMS-19),
 AVAILABLE BY SPECIAL ORDER ONLY.
 TO ORDER REPLACE "-01" WITH "-19"
 2. COLOR: NATURAL

TITLE: STUD-FITTING CIRCUIT BOARD SUPPORT

SEE CO 200407 FOR CHANGES	SK 08.04.09	FILE # SFCBS	DWN: J.B.	APP:	IDWG IN IN (MM) FINAL	PART # SEE TABLE	PRINT TYPE CA
SEE CO 200404 FOR CHANGES	SK 07.31.09	UNLESS NOTED .XX=±.010 .XXX=±.005 FRAC=1/64 ANG=±1°	DT: 05-31-96	DT:			
CHANGED FILE NO. AND TITLE BLOCK	SM 05.10.01	RE: RICHCO, INC.	RICHCO INC. PO BOX 804238, CHICAGO, 60680 (773) 539-4060				
REV	DESCRIPTION	ENGR	DATE				