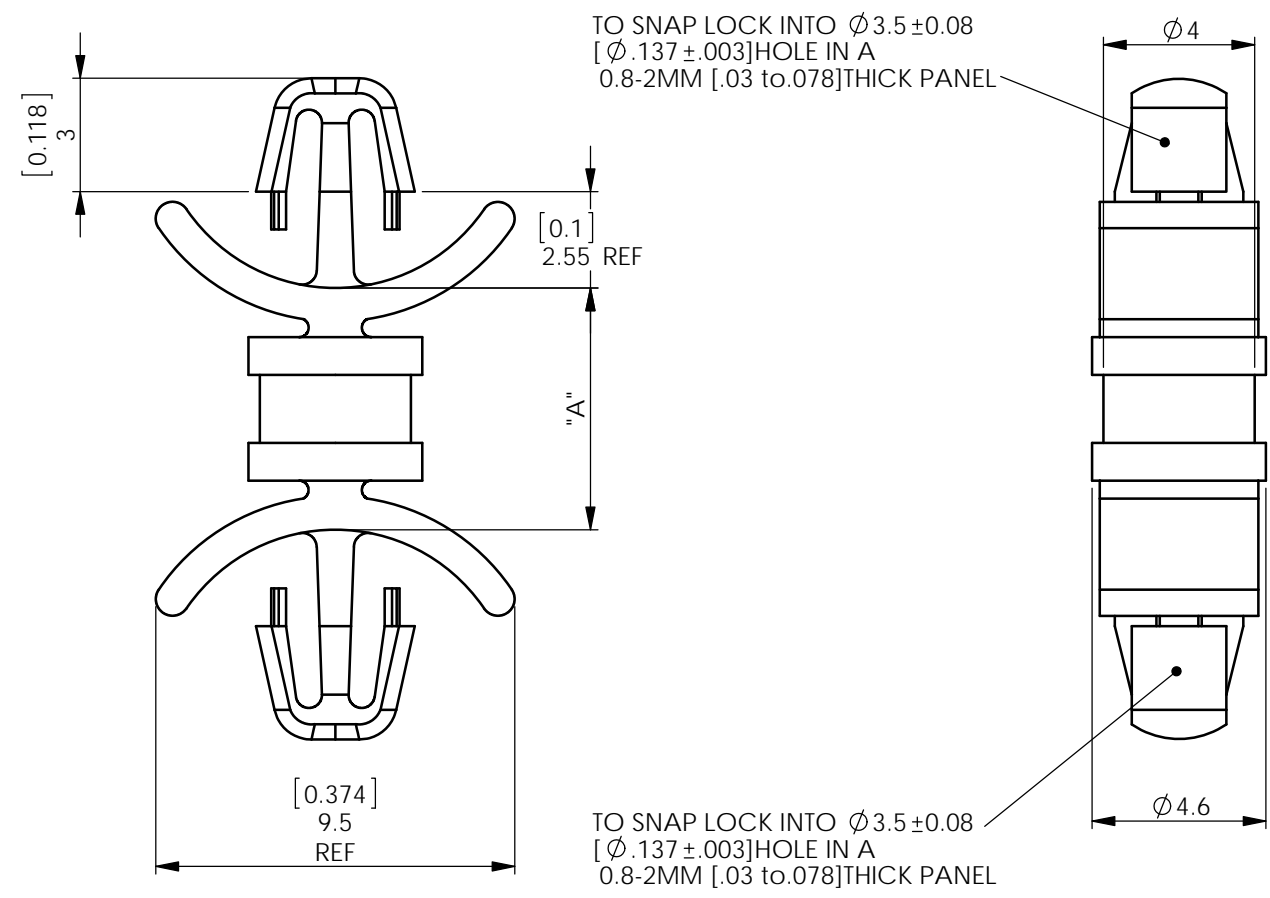


REV.	MODIFICATION.	DATE	DRN
01	PRODUCTION RELEASE	22/08/11	SF



ALTERNATE UNITS FOR REFERENCE ONLY

INFORMATION CONTAINED IN THIS DOCUMENT IS CONFIDENTIAL TO RICHCO INTERNATIONAL Co. Ltd. AND MAY NOT BE DISCLOSED OR REPRODUCED IN WHOLE OR PART WITHOUT THEIR WRITTEN CONSENT.

RICHCO, INC. WWW.RICHCO-INC.COM	ALL DIMENSIONS IN mm GENERAL TOLERANCES ± 0.25 UNLESS OTHERWISE STATED 1 DECIMAL PLACE \pm 2 DECIMAL PLACES \pm ANGULAR $\pm 1^\circ$	THIRD ANGLE
	MATERIAL: SEE TABLE COLOUR: SEE TABLE	

NYLON 6/6 UL94 V-2 (RMS-01)	NYLON 6/6 UL94 V-0 (RMS-19)	"A" STANDOFF HEIGHT ± 0.4
DLCBS5-3-01	DLCBS5-3-19	4.8 $[\text{.19}]$
DLCBS5-4-01	DLCBS5-4-19	6.4 $[\text{.25}]$
DLCBS5-5-01	DLCBS5-5-19	7.9 $[\text{.31}]$
DLCBS5-6-01	DLCBS5-6-19	9.5 $[\text{.37}]$
DLCBS5-7-01	DLCBS5-7-19	11.1 $[\text{.44}]$
DLCBS5-8-01	DLCBS5-8-19	12.7 $[\text{.50}]$
DLCBS5-9-01	DLCBS5-9-19	14.3 $[\text{.56}]$
DLCBS5-10-01	DLCBS5-10-19	15.9 $[\text{.63}]$
COLOUR: NATURAL (OTHER COLOURS AVAILABLE BY SPECIAL ORDER)		

DESCRIPTION: DUAL LOCKING CIRCUIT BOARD SUPPORT TYPE 5			PART No: SEE TABLE		
DRG No: 011-086	DRG NAME: DLCBS5	NPR No: EU11-0013	SHEET SIZE A4		
DRN NB	DATE 22/08/11	CHKD SF/TC	DATE 22/08/11	SCALE NTS	SHEET No. 1 OF 1