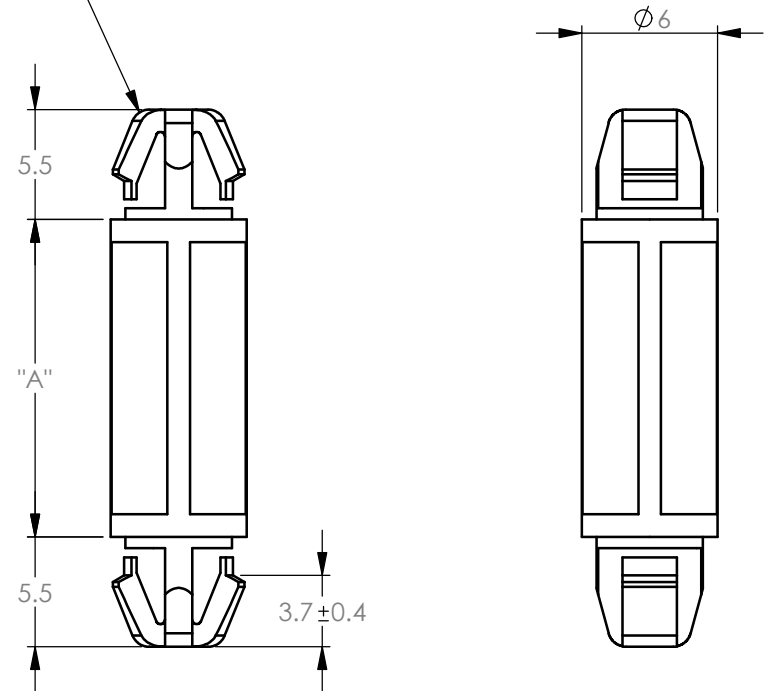


A B C D E F

REV.	MODIFICATION.	DATE	DRN
A	Range Drawing	17-9-13	NW

TO SNAP-LOCK IN 4.8±0.08mm DIA HOLE
IN A 1.6mm NOM. THICKNESS
BOARD/CHASSIS (BOTH ENDS)



PART NO.	"A" ±0.4mm
DLSP-2-3M-01	3.0
DLSP-2-4M-01	4.0
DLSP-2-6M-01	6.0
DLSP-2-8M-01	8.0
DLSP-2-10M-01	10.0
DLSP-2-12M-01	12.0
DLSP-2-14M-01	14.0
DLSP-2-16M-01	16.0
DLSP-2-18M-01	18.0
DLSP-2-25M-01	25.0
DLSP-2-30M-01	30.0

INFORMATION CONTAINED IN THIS DOCUMENT IS CONFIDENTIAL TO RICHCO INTERNATIONAL Co. Ltd. AND MAY NOT BE DISCLOSED OR REPRODUCED IN WHOLE OR PART WITHOUT THEIR WRITTEN CONSENT.

RICHCO, INC.
WWW.RICHCO-INC.COM

ALL DIMENSIONS IN mm
GENERAL TOLERANCES ±0.25
UNLESS OTHERWISE STATED
1 DECIMAL PLACE ±0.25
2 DECIMAL PLACES ± 0.10
ANGULAR ±1°

THIRD ANGLE

MATERIAL: NYLON 6/6 (RMS-01) COLOUR: NATURAL

DESCRIPTION: DUAL LOCKING SUPPORT POST (METRIC) - TYPE 2 PART No: SEE TABLE

DRG No: DLSP-2	PROJECT NUMBER: DLSP-2	Mass:(g) XXX	SHEET SIZE A4
DRN NW	DATE 17-9-13	CHKD XXX	DATE XX/XX/XX
SCALE 3:1		SHEET No. 1 OF 1	