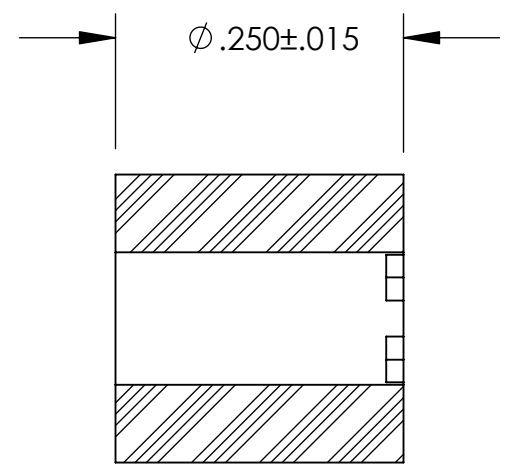
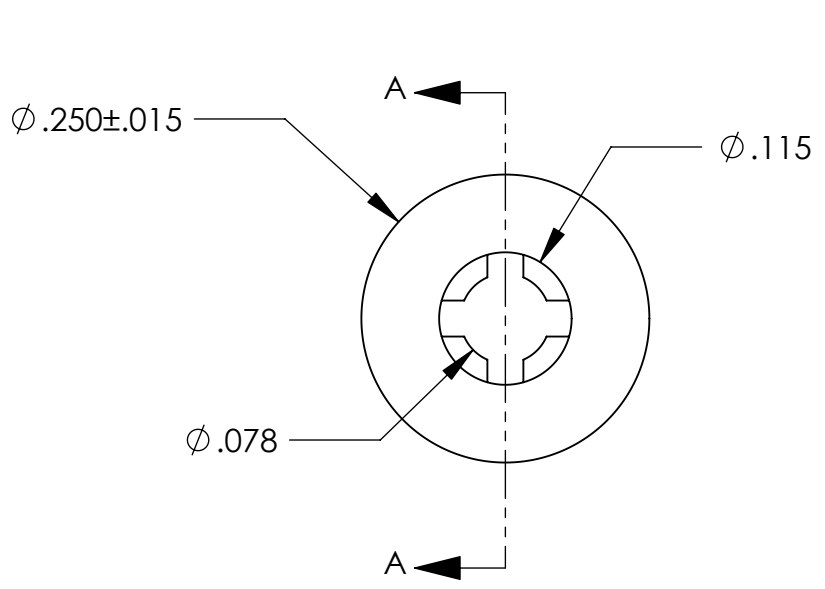


UNCONTROLLED DOCUMENT



SECTION A-A

TOLERANCES UNLESS NOTED
 ±.005 ON DIMENSIONS THRU .625
 ±.008 ON DIMENSIONS .626 THRU 1.000
 ±.010 ON DIMENSIONS 1.001 THRU 1.500
 ±.015 ON DIMENSIONS LARGER THAN 1.500
 ±.015 ON FRACTIONAL DIMENSIONS

WE RESERVE THE RIGHT
 TO DISCONTINUE ITEMS,
 CHANGE SPECIFICATIONS
 OR DESIGN AT ANY TIME
 WITHOUT NOTICE AND
 WITHOUT INCURRING
 ANY OBLIGATIONS

PROPERTY OF		
MICRO PLASTICS INC.		
CATALOG DRAWING RETAINING SPACER MICRO P/N 13SPRT033 DWG. # 13SPRT033 FILE SERVER\ENG\WEB		
MATERIAL:		6/6 NYLON
DATE	SCALE	TA
	6:1	