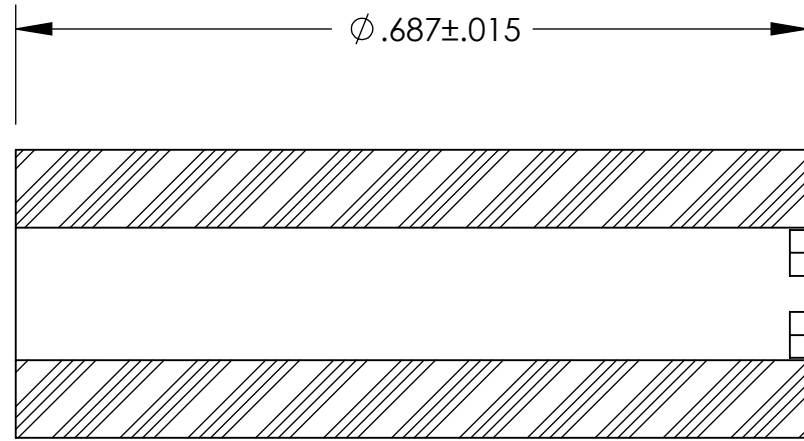
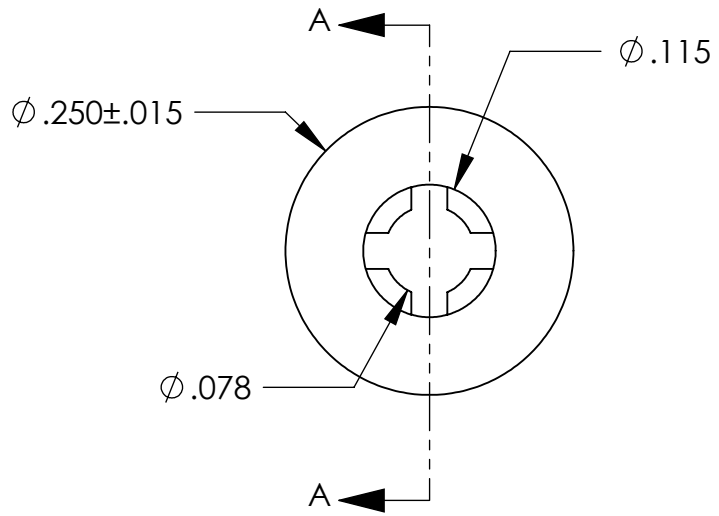


UNCONTROLLED DOCUMENT



TOLERANCES UNLESS NOTED

- $\pm .005$  ON DIMENSIONS THRU  $.625$
- $\pm .008$  ON DIMENSIONS  $.626$  THRU  $1.000$
- $\pm .010$  ON DIMENSIONS  $1.001$  THRU  $1.500$
- $\pm .015$  ON DIMENSIONS LARGER THAN  $1.500$
- $\pm .015$  ON FRACTIONAL DIMENSIONS

WE RESERVE THE RIGHT TO DISCONTINUE ITEMS, CHANGE SPECIFICATIONS OR DESIGN AT ANY TIME WITHOUT NOTICE AND WITHOUT INCURRING ANY OBLIGATIONS

|   |       |           |
|---|-------|-----------|
| PROPERTY OF   |       |           |
| <b>MICRO PLASTICS INC.</b>  |       |           |
| CATALOG DRAWING<br>RETAINING SPACER<br>MICRO P/N 13SPRT040<br>DWG. # 13SPRT040<br>FILE SERVER\ENG\WEB |       |           |
| MATERIAL:   |       | 6/6 NYLON |
| DATE  | SCALE | <b>TA</b> |
|   | 6:1   |           |