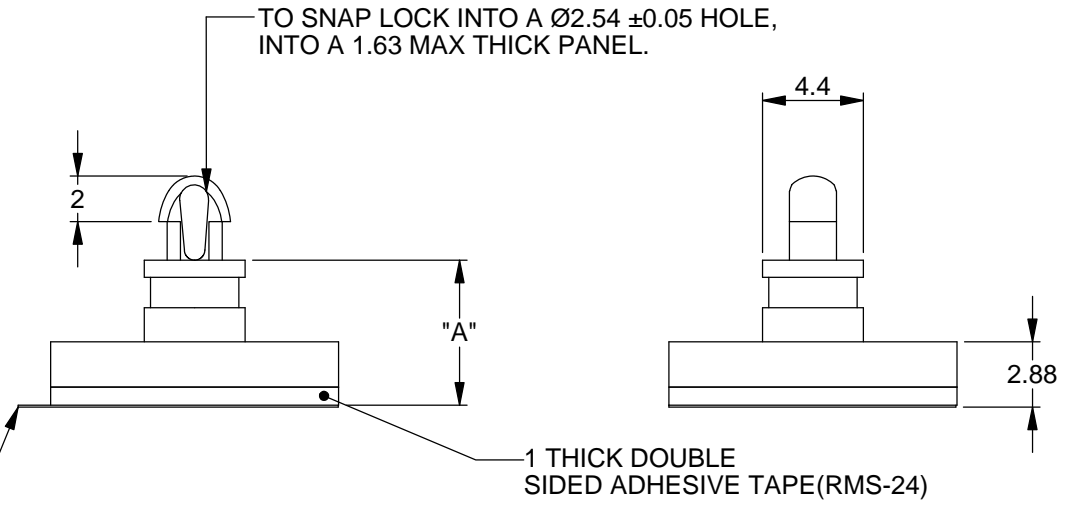
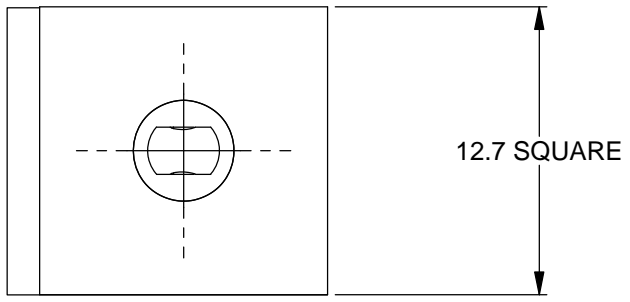


A B C D E F

REV.	MODIFICATION.	DATE	DRN
01	NEW DWG, ECN 07-233	11/12/07	SF
02	CO2010267	07/07/08	SF
03	CO2010823	17/09/09	OW
04	CO2010945	22/06/10	SF
05	CO2011253	12/04/12	SF



**NOTES**

- 1) METRIC PRIMARY UNITS:mm
- 2) ADHESIVE / URETHANE FOAM TAPE (RMS-24), PE LINER.
- 3) PARTS ALSO AVAILABLE WITHOUT TAPE. TO ORDER REMOVE 'A2' FROM PART No., & SUBTRACT 1 FROM 'A' DIMENSION.
- 4) THE COLOUR OF THE ADHESIVE LINER MAY VARY. THIS WILL NOT AFFECT THE TECHNICAL PROPERTIES OF THE PART.

*INFORMATION CONTAINED IN THIS DOCUMENT IS CONFIDENTIAL TO RICHCO INTERNATIONAL Co. Ltd. AND MAY NOT BE DISCLOSED OR REPRODUCED IN WHOLE OR PART WITHOUT THEIR WRITTEN CONSENT.*

MATERIAL NYLON 6/6 UL94 V2(RMS-01)	MATERIAL NYLON 6/6 UL 94 V0(RMS-19)	"A" DIM
CBSBT-3-01A2	CBSBT-3-19A2	4.8
CBSBT-4-01A2	CBSBT-4-19A2	6.4
CBSBT-5-01A2	CBSBT-5-19A2	7.9
CBSBT-6-01A2	CBSBT-6-19A2	9.5
CBSBT-7-01A2	CBSBT-7-19A2	11.1
CBSBT-8-01A2	CBSBT-8-19A2	12.7
CBSBT-9-01A2	CBSBT-9-19A2	14.3
CBSBT-10-01A2	CBSBT-10-19A2	15.9

**RICHCO, INC.**  
WWW.RICHCO-INC.COM

GENERAL TOLERANCES ±0.25 [0.010]  
UNLESS OTHERWISE STATED  
1 DECIMAL PLACE ±  
2 DECIMAL PLACES ±  
ANGULAR ±1°



MATERIAL: <b>SEE NOTES</b>		COLOUR: <b>NATURAL</b>	
DESCRIPTION: <b>CIRCUIT BOARD SUPPORT ON BASE</b>		PART No: <b>SEE TABLE</b>	
DRG No: <b>07-140</b>	NPR No: <b>N/A</b>	SHEET SIZE <b>A4</b>	
DRN <b>SF</b>	DATE <b>10/12/07</b>	CHKD <b>NBr</b>	DATE <b>11/12/07</b>
SCALE <b>NTS</b>		SHEET No. <b>1 OF 1</b>	

A B C D E F FORM No. 0145/03