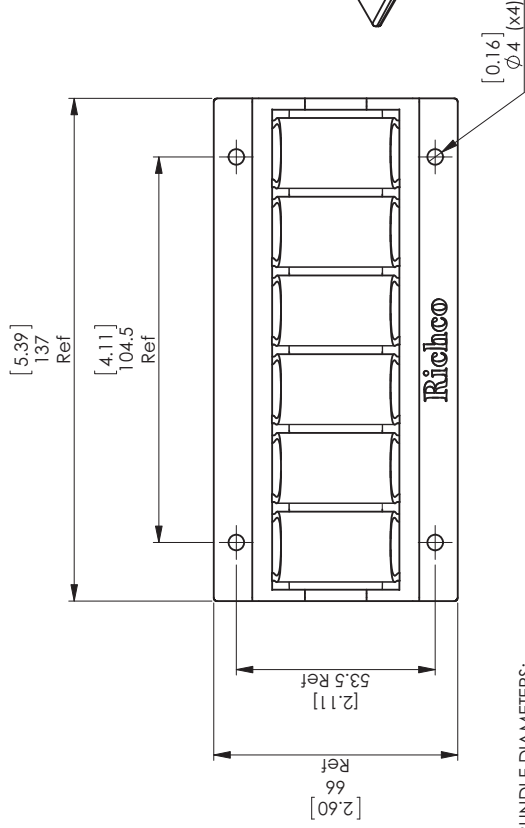


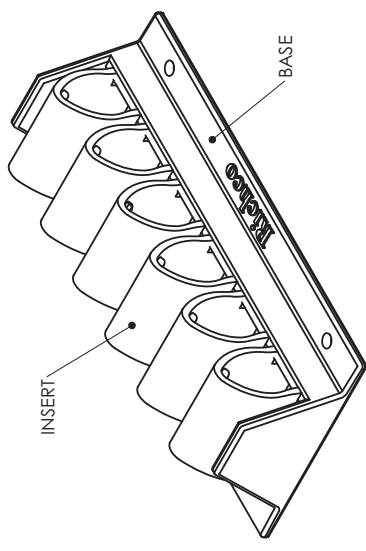
REV.	MODIFICATION.	DATE	DRN
01	Catalogue Release	19/10/11	TC
02	CO2011225	05/01/12	SF
03	CO2011246	15/02/12	SF



TO GRIP BUNDLE DIAMETERS:
 MINIMUM 2.0 [0.08] 7x POSITIONS ARROWED
 MAXIMUM 12.0 [0.47] 7x POSITIONS ARROWED
 ALTERNATIVE MAXIMUM 16.0 [0.63] 5x POSITIONS MARKED *

NOTE:

SUPPLIED ASSEMBLED WITH SIX REMOVABLE INSERTS



INFORMATION CONTAINED IN THIS DOCUMENT IS CONFIDENTIAL TO RICHCO INTERNATIONAL CO. LTD. AND MAY NOT BE DISCLOSED OR REPRODUCED IN WHOLE OR PART WITHOUT THEIR WRITTEN CONSENT.		ALL DIMENSIONS IN mm GENERAL TOLERANCES: ±0.25 UNLESS OTHERWISE STATED 1 DECIMAL PLACE ±0.25 2 DECIMAL PLACES ± 0.10 ANGULAR ±1°		THIRD ANGLE
RICHCO, INC. WWW.RICHCO-INC.COM		COLOUR: BLACK		
MATERIAL: BASE: HDPE (RMS-432) INSERT: TPE (RMS-433)		PART No: UCG-6BK		
DESCRIPTION: CABLE GRIP		PROJECT NUMBER: EU11-0010		SHEET SIZE: A4
DRG No: 011-101	CHKD: TC	DATE: 19/10/11	SCALE: NTS	SHEET No. 1 OF 1
DRN SF	DATE: 19/09/11	DATE: 19/10/11		