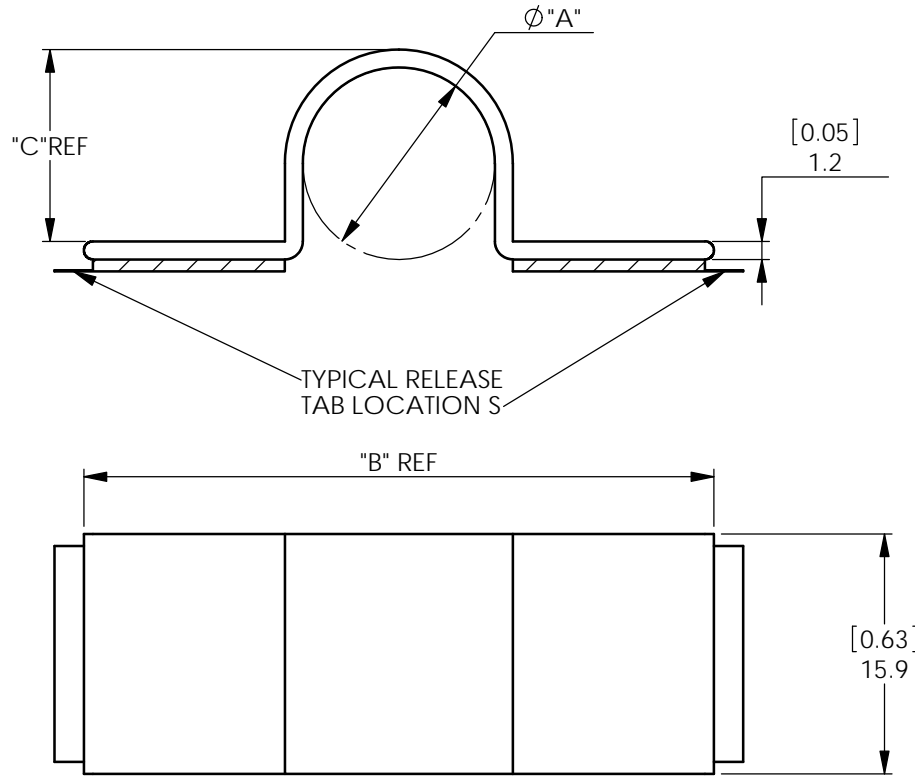


REV.	MODIFICATION.	DATE	DRN
01	CO 2010795	28/08/09	PH
02	CO 2011139	18/04/11	SF



- NOTES:
1. ALSO AVAILABLE IN CLEAR RIGID PVC (RMS-32) BY SPECIAL ORDER.
 2. CUSTOM LENGTHS AVAILABLE BY SPECIAL ORDER.

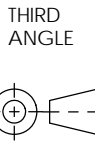
Part No	"A" Holding Capacity	"B" ± 0.5 (0.02)	"C"	Adhesive Reference
UC-2-RT	3.2 (0.36)	30.9 (1.22)	4.4 (0.17)	0.8(0.03) Thick, Double Sided Adhesive RMS-15
UC-4-A4-RT	6.4 (0.25)	34.1 (1.34)	7.5 (0.30)	1.0(0.04) Thick, Double Sided Adhesive RMS-410
UC-6-RT	9.5 (0.37)	37.3 (1.47)	10.7 (0.42)	0.8(0.03) Thick, Double Sided Adhesive RMS-15
UC-8-RT	12.7 (0.5)	40.4 (1.59)	13.9 (0.55)	

ALTERNATE UNITS FOR REFERENCE ONLY

INFORMATION CONTAINED IN THIS DOCUMENT IS CONFIDENTIAL TO RICHCO INTERNATIONAL Co. Ltd. AND MAY NOT BE DISCLOSED OR REPRODUCED IN WHOLE OR PART WITHOUT THEIR WRITTEN CONSENT.

RICHCO, INC.
WWW.RICHCO-INC.COM

ALL DIMENSIONS IN mm
GENERAL TOLERANCES ± 0.25
UNLESS OTHERWISE STATED
1 DECIMAL PLACE \pm
2 DECIMAL PLACES \pm
ANGULAR $\pm 1^\circ$



MATERIAL:
Rigid PVC UL94 V-0 (RMS-04)

COLOUR:
Black

DESCRIPTION:
U-Clip with Adhesive Base

PART No:
See Table

DRG No:
08-095

NPR No:
XXXX-XXX

SHEET SIZE
A4

DRN
PH

DATE
28/08/09

CHKD
SF/TC

DATE
19/04/11

SCALE
NTS

SHEET No.
1 OF 1