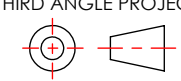


Condition of Sale can be found on our website: [essentra.com](http://essentra.com).

Essentra Components does not warrant that the files will be error free and may create new versions ("Upgrades") at any time, which may correct such errors. Essentra Components has no obligation to notify you of such upgrades. Any upgraded file will be published to the website, when it becomes available.

You are not permitted to load any of the files on to a network server for the purposes of distribution to one or more other computer(s) on that network or to effect such distribution. Essentra Components shall not be liable for any loss or damage whatsoever or however caused, arising directly or indirectly from the use of the files.

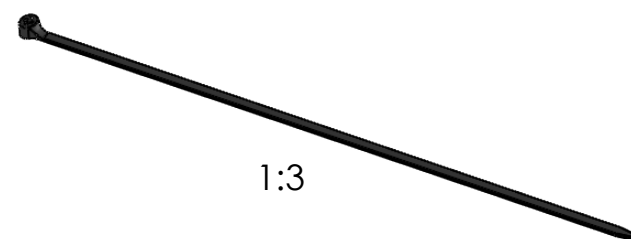
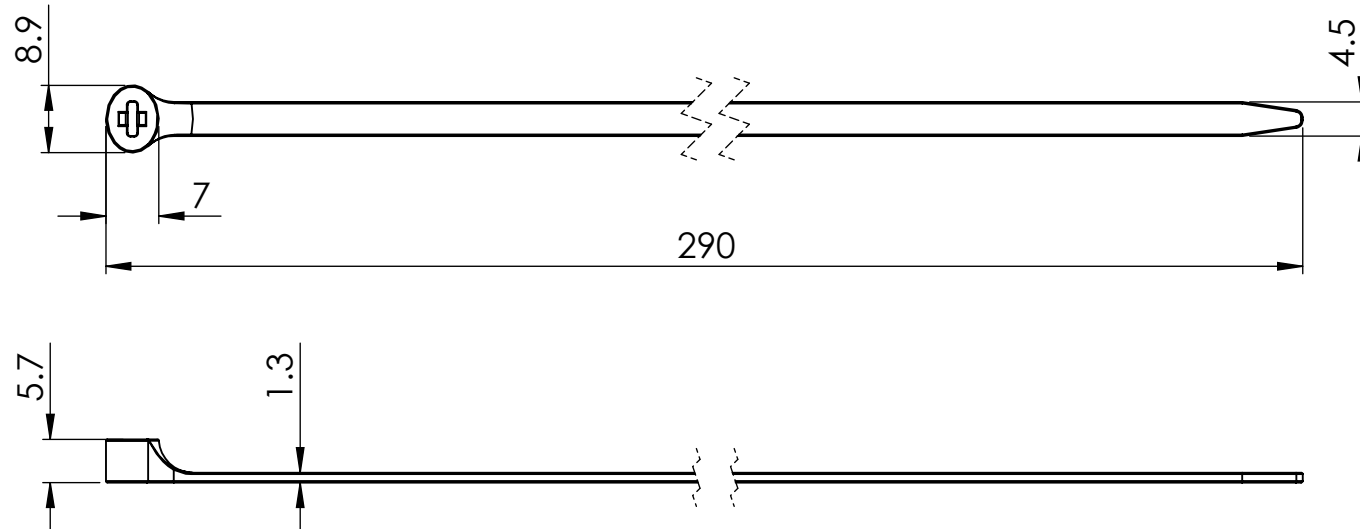
**UNLESS OTHERWISE STATED**

ALL DIMENSIONS IN mm		DO NOT SCALE	
LINEAR TOLERANCE		THIRD ANGLE PROJECTION	
SIZE	(0) (0.0) (0.00)		
0-10mm	±0.5 ±0.15 ±0.10		
>10-30	±0.5 ±0.20 ±0.15		
>30-50	±0.5 ±0.30 ±0.20		
>50-100	±0.8 ±0.50 ±0.25		
>100-200	±1.5 ±0.80 ±0.40		
>200-300	±2.0 ±1.20 ±0.80		
>300-500	±3.0 ±2.00 ±1.00	ANGULAR TOLERANCE ±0.5 DEGREES	
>500	±5.0 ±3.00 ±1.50	UNSPECIFIED RADII 0.25mm	
ORG. SCALE: 1:1		CREATE DATE: 05/07/2018	

MATERIAL:	PA 66
Part ID:	1334556
Project:	P110405-1

TITLE:  
**2-LOCK CABLE TIES  
 BLACK 290X4.5**

DWG. No.	1334556	SHEET 1 of 1
		ISSUE 1



**NOTE**

TEETH : 316 STAINLESS STEEL  
 FLAMABILITY RATING : UL94 V2

MAX BUNDLE DIA. : 80  
 TENSILE STRENGTH (N) : 360

**UNCONTROLLED DATA MISSING**