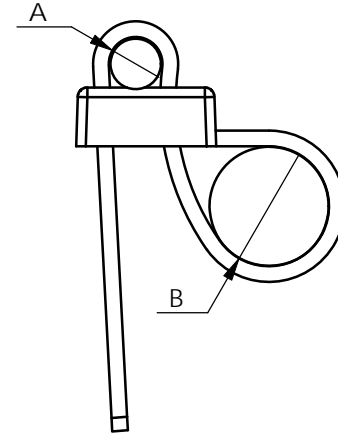
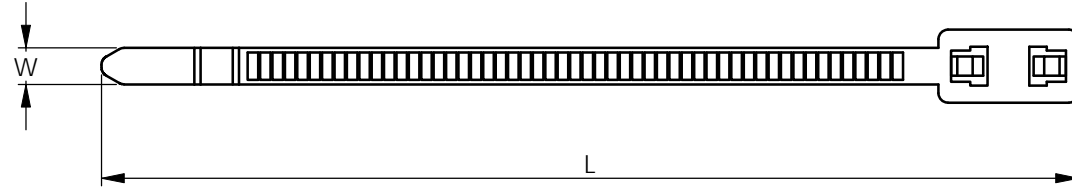


REV.	MODIFICATION.	DATE	DRN
01	PRODUCTION RELEASE	12/01/11	SF



PART NUMBER	COLOUR	L REF	W REF	MAX BUNDLE $\phi$	MIN LOOP TENSILE STRENGTH Kg	MATERIAL
WIT-DH-1	NATURAL	200	4.8	A $\phi$ 47 B $\phi$ 45	22.2	NYLON 6/6 UL94-V2 (RMS-01)
WIT-DH-1BK	BLACK					
WIT-DH-2	NATURAL	300		A $\phi$ 72 B $\phi$ 70		NYLON 6/6 UL94-V2 (RMS-01)
WIT-DH-2BK	BLACK					
WIT-DH-3	NATURAL	372		A $\phi$ 100 B $\phi$ 97		NYLON 6/6 UL94-V2 (RMS-01)
WIT-DH-3BK	BLACK					

INFORMATION CONTAINED IN THIS DOCUMENT IS CONFIDENTIAL TO RICHCO INTERNATIONAL Co. Ltd. AND MAY NOT BE DISCLOSED OR REPRODUCED IN WHOLE OR PART WITHOUT THEIR WRITTEN CONSENT.

**RICHCO, INC.**  
WWW.RICHCO-INC.COM

ALL DIMENSIONS IN mm  
GENERAL TOLERANCES  $\pm 0.25$   
UNLESS OTHERWISE STATED  
1 DECIMAL PLACE  $\pm 0.25$   
2 DECIMAL PLACES  $\pm 0.10$   
ANGULAR  $\pm 1^\circ$

THIRD ANGLE

MATERIAL: SEE TABLE      COLOUR: SEE TABLE

DESCRIPTION: DOUBLE LOOP CABLE TIES      PART No: SEE TABLE

DRG No: 011-004      PROJECT NUMBER: EU10-0017      SHEET SIZE: A4

DRN: SF      DATE: 17/11/10      CHKD: JK      DATE: 12/01/11      SCALE: NTS      SHEET No: 1 OF 1