

MAX CABLE  
BUNDLE DIAMETER  
50



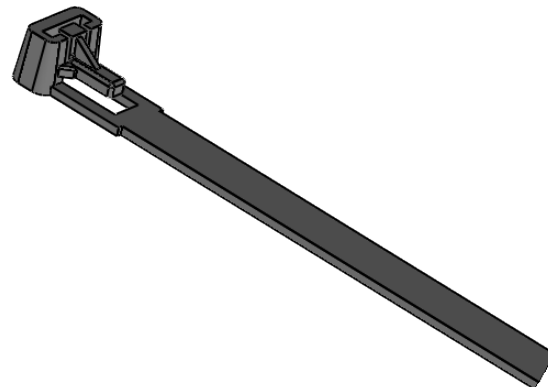
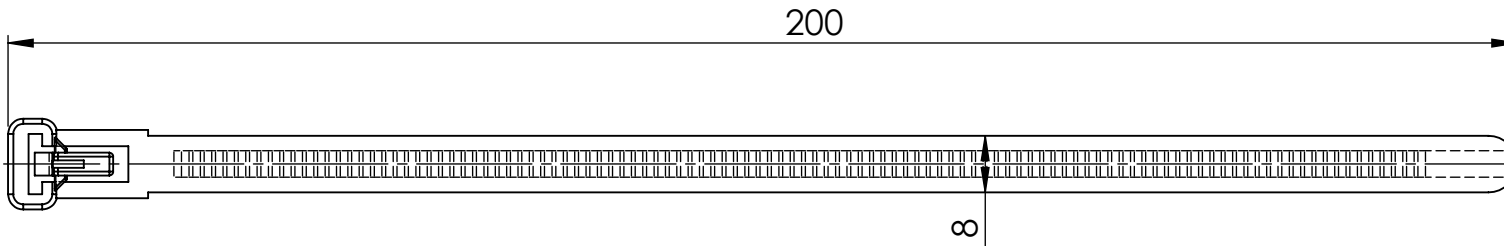
© 2013 Essentra Components. All rights reserved.  
Registered in England, Company No. 547495.  
Registered Office: Essentra plc  
Langford Locks, Kidlington, Oxford, OX5 1HX

Condition of Sale can be found on our website: [essentra.com](http://essentra.com).

Essentra Components does not warrant that the files will be error free and may create new versions ("Upgrades") at any time, which may correct such errors. Essentra Components has no obligation to notify you of such upgrades. Any upgraded file will be published to the website, when it becomes available.

You are not permitted to load any of the files on to a network server for the purposes of distribution to one or more other computer(s) on that network or to effect such distribution. Essentra Components shall not be liable for any loss or damage whatsoever or however caused, arising directly or indirectly from the use of the files.

**UNCONTROLLED COPY**



STATUS

**APPROVED DRAWING**

UNLESS OTHERWISE STATED

ALL DIMENSIONS IN mm

DO NOT SCALE

LINEAR TOLERANCE

THIRD ANGLE PROJECTION

SIZE	(0)	(0.0)	(0.00)
0-10	±0.5	±0.15	±0.10
>10-30	±0.5	±0.20	±0.15
>30-50	±0.5	±0.30	±0.20
>50-100	±0.8	±0.50	±0.25
>100-200	±1.5	±0.80	±0.40
>200-300	±2.0	±1.20	±0.80
>300-500	±3.0	±2.00	±1.00
>500	±5.0	±3.00	±1.50

	ANGULAR TOLERANCE ±0.5 DEGREES
	UNSPECIFIED RADII 0.25mm
	DRAFT ANGLE 0.5 DEGREES
	DIMENSIONS IN BRACKETS [ ] ARE IN INCHES FOR REFERENCE ONLY

CREATE DATE	17.10.2022	1:2	ORG. SCALE
ITEM CODE	10248027	NYLON 6/6	MATERIAL
LEGACY NUMBER	461269	NATURAL	COLOUR / FINISH

TITLE:  
**STANDARD CABLE TIE**

DWG. No.	10248027	SHEET	ISSUE
		1 of 2	1

MAX CABLE  
BUNDLE DIAMETER  
50



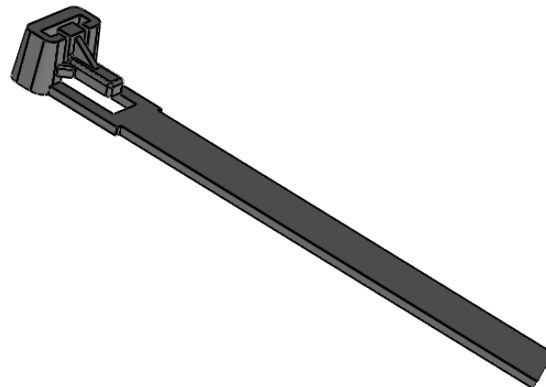
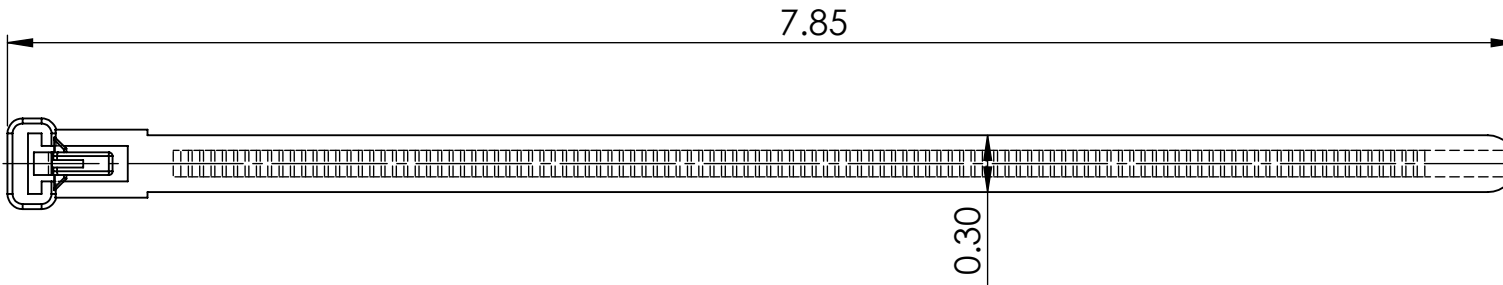
© 2013 Essentra Components. All rights reserved.  
Registered in England, Company No. 547495.  
Registered Office: Essentra plc  
Langford Locks, Kidlington, Oxford, OX5 1HX

Condition of Sale can be found on our website: [essentra.com](http://essentra.com).

Essentra Components does not warrant that the files will be error free and may create new versions ("Upgrades") at any time, which may correct such errors. Essentra Components has no obligation to notify you of such upgrades. Any upgraded file will be published to the website, when it becomes available.

You are not permitted to load any of the files on to a network server for the purposes of distribution to one or more other computer(s) on that network or to effect such distribution. Essentra Components shall not be liable for any loss or damage whatsoever or however caused, arising directly or indirectly from the use of the files.

UNCONTROLLED COPY



STATUS

APPROVED DRAWING

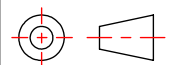
UNLESS OTHERWISE STATED

ALL DIMENSIONS IN inches

DO NOT SCALE

SIZE	LINEAR TOLERANCE		
	(0.00)	(0.000)	(0.0000)
0 - 0.394	±0.020	±0.006	±0.004
>0.394 - 1.181	±0.020	±0.008	±0.006
>1.181 - 1.969	±0.020	±0.012	±0.008
>1.969 - 3.937	±0.031	±0.020	±0.010
>3.937 - 7.874	±0.059	±0.031	±0.016
>7.874 - 11.811	±0.079	±0.047	±0.031
>11.811 - 19.685	±0.118	±0.079	±0.039
>19.685	±0.197	±0.118	±0.059

THIRD ANGLE PROJECTION



ANGULAR TOLERANCE  
±0.5 DEGREES  
UNSPECIFIED RADII 0.010 inch  
DRAFT ANGLE 0.5 DEGREES  
DIMENSIONS IN BRACKETS [ ]  
ARE IN INCHES FOR  
REFERENCE ONLY

CREATE DATE	17.10.2022	1:1	ORG. SCALE
ITEM CODE	10248027	NYLON 6/6	MATERIAL
LEGACY NUMBER	461269	NATURAL	COLOUR / FINISH

TITLE:  
STANDARD CABLE TIE

DWG. No.	10248027	SHEET	ISSUE
		2 of 2	1