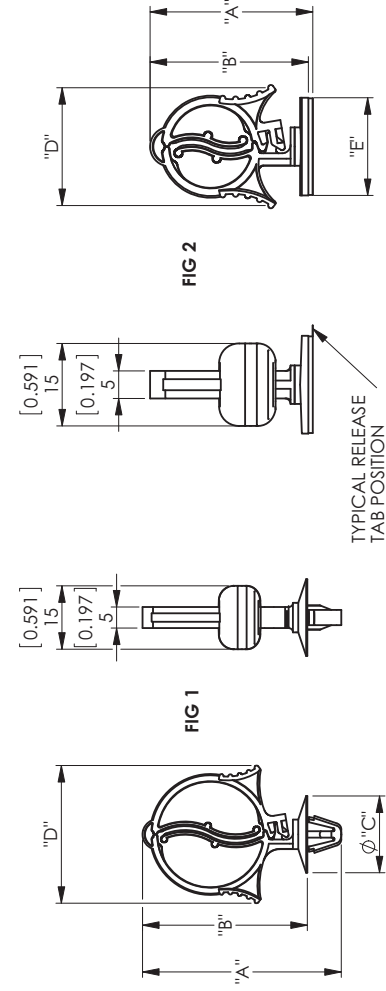


A		B		C		D		E		F	
REV.	MODIFICATION.	DATE	DRN								
01	PRODUCTION RELEASE	31/01/12	SF								

PART No.		FIG	"A" REF	"B" MAX	"C" REF	"D" REF	"E" REF	MOUNTING HOLE	PANEL THICKNESS	CABLE BUNDLE
MATERIAL: NYLON 6/6 UL94 V-2 (RMS-01) COLOUR: NATURAL	MATERIAL: NYLON 6/6 UL94 V-2 UV STABILIZED (RMS-46) COLOUR: BLACK									
WCC1-1-01	WCC1-1-UVB	1	35[1.377]	28[1.102]		23[0.905]		Ø3 - Ø7.9[.118 - .311]		
WCC1-2-01	WCC1-2-UVB		40[1.574]	31[1.220]	16[.629]	27[1.062]		Ø4 - 4.8[.157 - .189]	0.5 - 1.6[.019 - .063]	Ø3 - Ø9.5[.118 - .374]
WCC1-3-01	WCC1-3-UVB		45[1.771]	37[1.456]		33[1.299]			0.5 - 2.5[.019 - .098]	Ø3 - Ø12.7[.118 - .500]
WCC2-1-01	WCC2-1-UVB	2	32[1.259]	28[1.102]		23[0.905]	17.8 [0.700]	Ø6 - 6.8[.236 - .267]		
WCC2-2-01	WCC2-2-UVB		37[1.456]	31[1.220]	18.4[.724]	27[1.062]				Ø3 - Ø9.5[.118 - .374]
WCC2-3-01	WCC2-3-UVB		42[1.653]	37[1.456]		33[1.299]				Ø3 - Ø12.7[.118 - .500]
WCC3-1-01A4-RT			28[1.102]	27[1.062]		23[0.905]				
WCC3-2-01A4-RT			32[1.269]	31[1.220]	-	27[1.062]				Ø3 - Ø9.5[.118 - .374]
WCC3-3-01A4-RT			38[1.496]	37[1.456]		33[1.299]	25.4[1]			Ø3 - Ø12.7[.118 - .500]

PARTS AVAILABLE IN NYLON 6/6 UL94 V-0 (RMS-19) MATERIAL BY SPECIAL ORDER. COLOUR: NATURAL. OTHER COLOURS AVAILABLE BY SPECIAL ORDER.

ALTERNATE UNITS FOR REFERENCE ONLY



INFORMATION CONTAINED IN THIS DOCUMENT IS CONFIDENTIAL TO RICHCO INTERNATIONAL CO. LTD. AND MAY NOT BE DISCLOSED OR REPRODUCED IN WHOLE OR PART WITHOUT THEIR WRITTEN CONSENT.

**RICHCO, INC.**  
WWW.RICHCO-INC.COM

ALL DIMENSIONS IN MM  
GENERAL TOLERANCES: ±0.25  
UNLESS OTHERWISE STATED  
1 DECIMAL PLACE ±0.25  
2 DECIMAL PLACES ± 0.10  
ANGULAR ±1°

MATERIAL:	SEE TABLE	COLOUR:	SEE TABLE
DESCRIPTION:	WEBBED CENTRING CLIP	PART NO:	SEE TABLE
DRG No:	012-005	PROJECT NUMBER:	EUI2-0020
DRN	SF	DATE	31/01/12
CHKD	DT	SCALE	NTS
SHEET No.	1 OF 1		

FORM No. 0145/02