

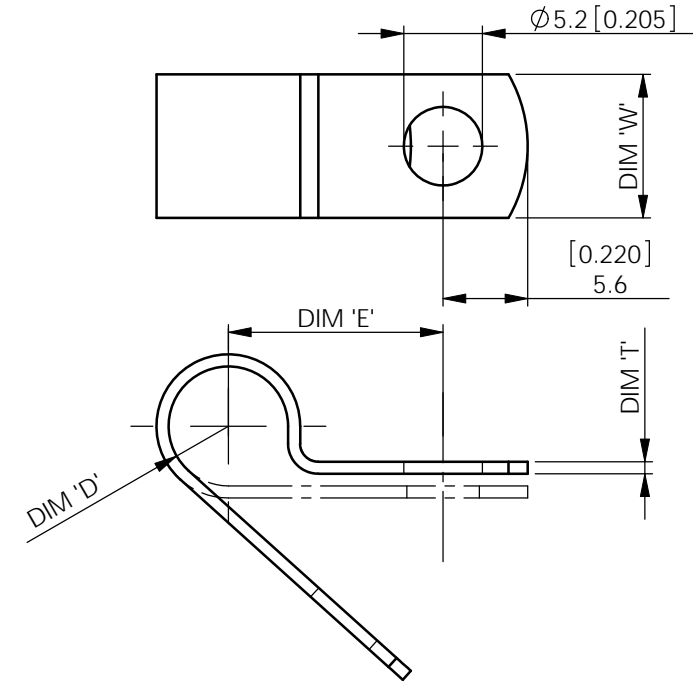
NOTES.

- 1a) METRIC PRIMARY UNITS:mm
- 1b) IMPERIAL SECONDARY UNITS: [inches]
- 2) AL Series is ROHS compliant.



Isometric View

| REV. | MODIFICATION.         | DATE     | DRN |
|------|-----------------------|----------|-----|
| 01   | NEW DWG, ECN-2006-038 | 31/01/06 | NJB |
| 02   | ECN 2007-128          | 07/08/07 | SF  |
| 03   | 2010918               | 12/05/10 | DT  |
| 04   | 2010969               | 04/08/10 | SF  |

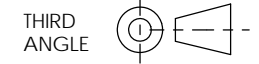


| PART NUMBER | DIM 'D'(Holding Dia) | DIM'E'      | DIM'W'     | DIM'T'     | MATERIAL |
|-------------|----------------------|-------------|------------|------------|----------|
| AL2         | 3.2[0.125]           | 11.7[0.460] | 9.5[0.374] | 0.8[0.031] | RMS-194  |
| AL3         | 4.8[0.188]           | 12.7[0.500] |            |            |          |
| AL4         | 6.4[0.251]           | 13.5[0.531] |            |            |          |
| AL5         | 7.9[0.311]           | 14.2[0.559] |            |            |          |
| AL6         | 9.5[0.374]           | 15.0[0.590] |            |            |          |
| AL7         | 11.1[0.437]          | 15.7[0.620] |            |            |          |
| AL8         | 12.7[0.500]          | 16.5[0.649] |            |            |          |
| AL9         | 14.3[0.562]          | 19.1[0.751] |            |            |          |
| AL10        | 15.9[0.625]          | 19.8[0.779] |            |            |          |
| AL11        | 17.5[0.688]          | 20.6[0.811] |            |            |          |
| AL12        | 19.1[0.751]          | 21.3[0.838] |            |            |          |
| AL14        | 22.2[0.874]          | 22.9[0.901] |            |            |          |
| AL15        | 23.8[0.937]          | 23.6[0.929] |            |            |          |
| AL16        | 25.4[1.000]          | 24.4[0.960] |            |            |          |
| AL18        | 28.6[1.125]          | 26.7[1.051] |            |            |          |
| AL20        | 31.8[1.251]          | 28.2[1.110] |            |            |          |

INFORMATION CONTAINED IN THIS DOCUMENT IS CONFIDENTIAL TO RICHCO INTERNATIONAL Co. Ltd. AND MAY NOT BE DISCLOSED OR REPRODUCED IN WHOLE OR PART WITHOUT THEIR WRITTEN CONSENT.

**RICHCO, INC.**  
WWW.RICHCO-INC.COM

GENERAL TOLERANCES ±0.40 [1/64]  
UNLESS OTHERWISE STATED  
1 DECIMAL PLACE ±  
2 DECIMAL PLACES ±  
ANGULAR ±1°



|                                      |                     |                       |                  |
|--------------------------------------|---------------------|-----------------------|------------------|
| MATERIAL:<br>SEE TABLE               |                     | COLOUR:<br>SILVER     |                  |
| DESCRIPTION:<br>CABLE CLAMP, TYPE AL |                     | PART No:<br>SEE TABLE |                  |
| DRG No:<br>06-016                    | NPR No:             | SHEET SIZE<br>A4      |                  |
| DRN<br>NJB                           | DATE<br>31/01/06    | CHKD<br>ME            | DATE<br>31/01/06 |
| SCALE<br>NTS                         | SHEET No.<br>1 OF 1 |                       |                  |