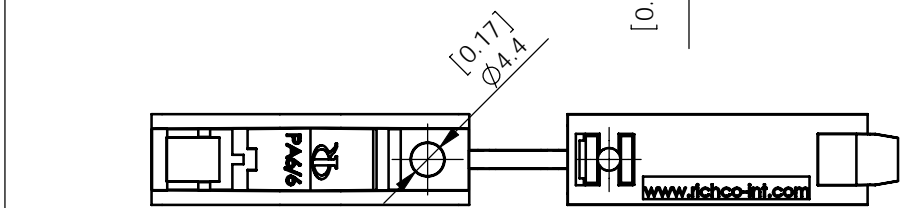
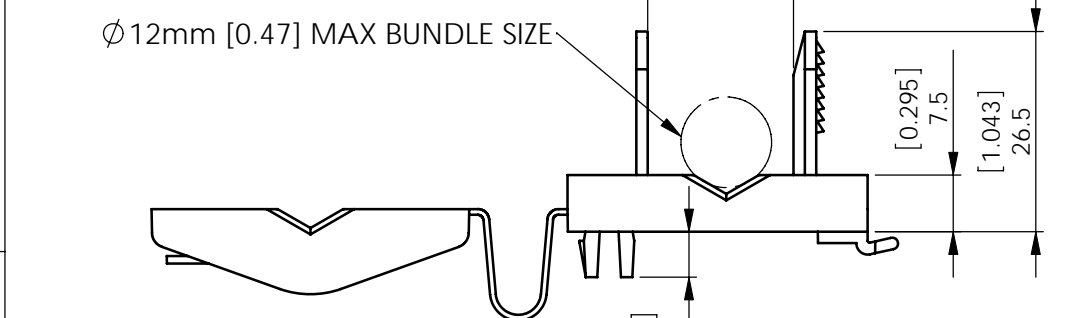
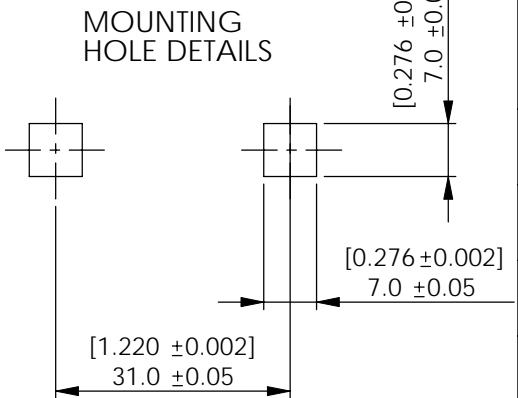


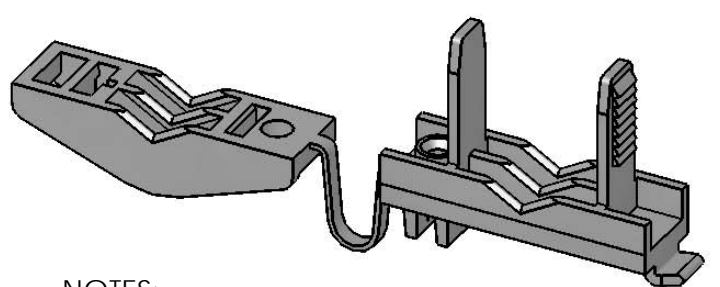
TO SUIT M3.5 - M4 [#8]
SELF TAPPING SCREW
FOR THERMOPLASTIC



MATERIAL: NYLON 6/6 UL94 V-2 (RMS-01) COLOUR: BLACK	PANEL THICKNESS
HMCC-4-01BK	0.8 - 1.2 [0.032 - 0.047]



REV	MODIFICATION	DATE	DRN
01	PRODUCTION RELEASED	18/12/07	I.C
02	ECN2008-012	18/12/07	S.F
03	CO2010144	19/03/08	I.C
04	CO2010173	09/04/08	I.C
05	CO2010646	06/05/09	SF



- NOTES:
- 1) NATURAL COLOUR AVAILABLE BY SPECIAL ORDER. TO ORDER, DELETE 'BK' FROM THE PART NUMBER.
 - 2) UL94 V0 MATERIAL AVAILABLE BY SPECIAL ORDER. TO ORDER, REPLACE -01 WITH -19BK(FOR BLACK) OR -19(FOR NATURAL).
 - 3) AVAILABLE IN NYLON 6/6 UV STABILIZED(RMS-46) & NYLON 6/6 HEAT STABILIZED(RMS-47) BY SPECIAL ORDER.

INFORMATION CONTAINED IN THIS DOCUMENT IS CONFIDENTIAL TO RICHCO INTERNATIONAL Co. Ltd. AND MAY NOT BE DISCLOSED OR REPRODUCED IN WHOLE OR PART WITHOUT THEIR WRITTEN CONSENT.

ALL DIMENSIONS IN mm
GENERAL TOLERANCES ±0.25
UNLESS OTHERWISE STATED
1 DECIMAL PLACE ±0.25
2 DECIMAL PLACES ±0.10
ANGULAR ±1°

THIRD ANGLE

MATERIAL: SEE TABLE & NOTES		COLOUR: SEE NOTE	
DESCRIPTION: HINGED MAINS CABLE CLAMP		PART No: HMCC-4	
DRG No: 07-102	NPR No: 2006-067	MASS: 5.5g	SHEET SIZE A4
DRN I.C	DATE 19/10/07	CHKD S.F	DATE 18/12/07
SCALE 1:1	SHEET No. 1 OF 1		

FORM No. 0178/00