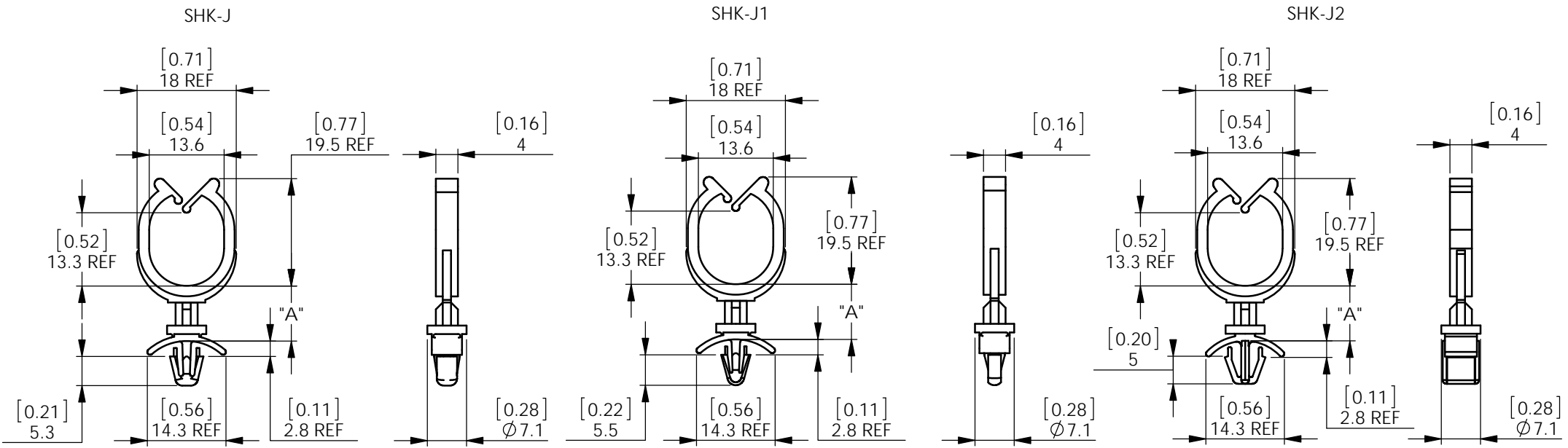


ALTERNATE UNITS FOR REFERENCE ONLY

REV.	MODIFICATION.	DATE	DRN
01	CO2011109	25/02/11	SF
02	CO2011132	12/04/11	SF
03	CO2011136	15/04/11	SF



BOTTOM FIX TO SNAP LOCK INTO A
4.75[0.19] ± 0.08[0.003] Ø HOLE, IN A
1.6[0.06] NOMINAL BOARD THICKNESS

BOTTOM FIX TO SNAP LOCK INTO A
3.96[0.16] ± 0.08[0.003] Ø HOLE, IN A
1.6[0.06] NOMINAL BOARD THICKNESS

BOTTOM FIX TO SNAP LOCK INTO A
5.5[0.22] ± 0.08[0.003] SQUARE HOLE, WITH A
1.6[0.06] NOMINAL BOARD THICKNESS

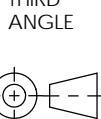
NYLON 6/6 UL94-V2(RMS-01)	NYLON 6/6 UL94-V0(RMS-19)	NYLON 6/6 UL94-V2(RMS-01)	NYLON 6/6 UL94-V0(RMS-19)	NYLON 6/6 UL94-V2(RMS-01)	NYLON 6/6 UL94-V0(RMS-19)	"A" ± 0.4
SHK-J-6M-01	SHK-J-6M-19	SHK-J1-6M-01	SHK-J1-6M-19	SHK-J2-6M-01	SHK-J2-6M-19	6[0.24]
SHK-J-8M-01	SHK-J-8M-19	SHK-J1-8M-01	SHK-J1-8M-19	SHK-J2-8M-01	SHK-J2-8M-19	8[0.31]
SHK-J-10M-01	SHK-J-10M-19	SHK-J1-10M-01	SHK-J1-10M-19	SHK-J2-10M-01	SHK-J2-10M-19	10[0.39]
SHK-J-12M-01	SHK-J-12M-19	SHK-J1-12M-01	SHK-J1-12M-19	SHK-J2-12M-01	SHK-J2-12M-19	12[0.47]
SHK-J-14M-01	SHK-J-14M-19	SHK-J1-14M-01	SHK-J1-14M-19	SHK-J2-14M-01	SHK-J2-14M-19	14[0.55]
SHK-J-16M-01	SHK-J-16M-19	SHK-J1-16M-01	SHK-J1-16M-19	SHK-J2-16M-01	SHK-J2-16M-19	16[0.63]
SHK-J-18M-01	SHK-J-18M-19	SHK-J1-18M-01	SHK-J1-18M-19	SHK-J2-18M-01	SHK-J2-18M-19	18[0.71]
SHK-J-20M-01	SHK-J-20M-19	SHK-J1-20M-01	SHK-J1-20M-19	SHK-J2-20M-01	SHK-J2-20M-19	20[0.79]
SHK-J-22M-01	SHK-J-22M-19	SHK-J1-22M-01	SHK-J1-22M-19	SHK-J2-22M-01	SHK-J2-22M-19	22[0.87]
SHK-J-24M-01	SHK-J-24M-19	SHK-J1-24M-01	SHK-J1-24M-19	SHK-J2-24M-01	SHK-J2-24M-19	24[0.94]
SHK-J-26M-01	SHK-J-26M-19	SHK-J1-26M-01	SHK-J1-26M-19	SHK-J2-26M-01	SHK-J2-26M-19	26[1.02]
SHK-J-28M-01	SHK-J-28M-19	SHK-J1-28M-01	SHK-J1-28M-19	SHK-J2-28M-01	SHK-J2-28M-19	28[1.10]

COLOUR: NATURAL, OTHER COLOURS AVAILABLE BY SPECIAL ORDER

INFORMATION CONTAINED IN THIS DOCUMENT IS CONFIDENTIAL TO RICHCO INTERNATIONAL Co. Ltd. AND MAY NOT BE DISCLOSED OR REPRODUCED IN WHOLE OR PART WITHOUT THEIR WRITTEN CONSENT.

RICHCO, INC.
WWW.RICHCO-INC.COM

ALL DIMENSIONS IN mm
GENERAL TOLERANCES ± 0.25
UNLESS OTHERWISE STATED
1 DECIMAL PLACE ±
2 DECIMAL PLACES ±
ANGULAR ± 1°



MATERIAL: SEE TABLE				COLOUR: SEE TABLE	
DESCRIPTION: STAND OFF HARNESS CLIP				PART No: SEE TABLE	
DRG No: 011-041		NPR No:		SHEET SIZE A4	
DRN SF	DATE 25/02/11	CHKD TC	DATE 08/04/11	SCALE NTS	SHEET No. 1 OF 1