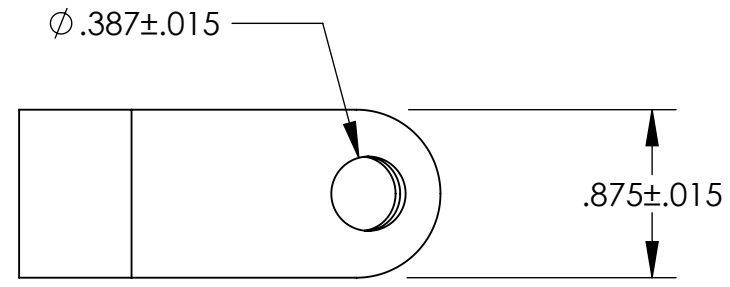
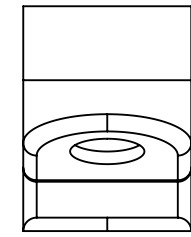
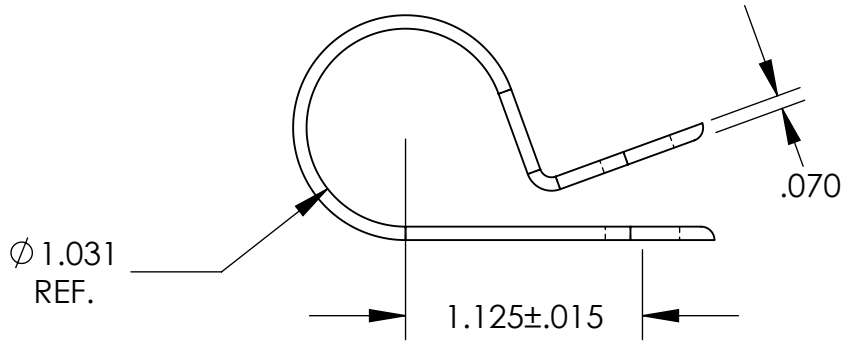


UNCONTROLLED DOCUMENT



TOLERANCES UNLESS NOTED

- $\pm .005$  ON DIMENSIONS THRU  $.625$
- $\pm .008$  ON DIMENSIONS  $.626$  THRU  $1.000$
- $\pm .010$  ON DIMENSIONS  $1.001$  THRU  $1.500$
- $\pm .015$  ON DIMENSIONS LARGER THAN  $1.500$
- $\pm .015$  ON FRACTIONAL DIMENSIONS

WE RESERVE THE RIGHT TO DISCONTINUE ITEMS, CHANGE SPECIFICATIONS OR DESIGN AT ANY TIME WITHOUT NOTICE AND WITHOUT INCURRING ANY OBLIGATIONS

PROPERTY OF  
**MICRO PLASTICS INC.**

CATALOG DRAWING  
 EXTRA HEAVY DUTY CABLE CLAMP  
 MICRO P/N 22CC87F1003  
 DWG. # 22CC87F1003  
 FILE SERVER\ENG\WEB

MATERIAL: 6/6 NYLON

|      |              |            |
|------|--------------|------------|
| DATE | SCALE<br>1:1 | <b>DSB</b> |
|------|--------------|------------|