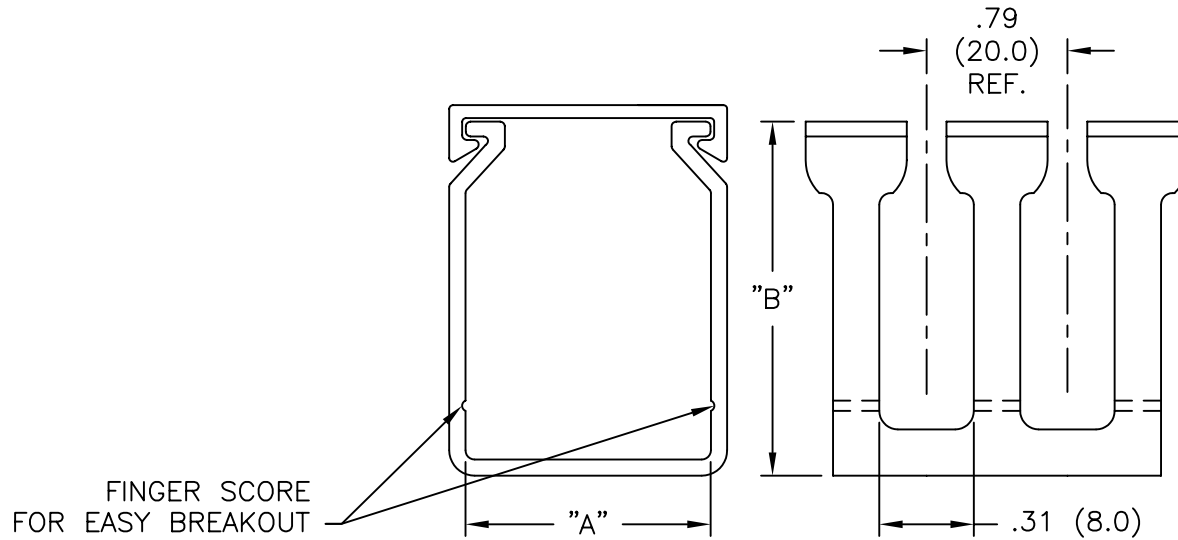


PART NO.	"A"	"B"	MOUNTING STYLE
SRWD-1015	1.00 (25.4)	1.50 (38.1)	1
SRWD-1020	1.00 (25.4)	2.00 (50.8)	
SRWD-1515	1.50 (38.1)	1.50 (38.1)	
SRWD-1520	1.50 (38.1)	2.00 (50.8)	
SRWD-2010	2.00 (50.8)	1.00 (25.4)	
SRWD-2020	2.00 (50.8)	2.00 (50.8)	
SRWD-3015	3.00 (76.2)	1.50 (38.1)	2
SRWD-4020	4.00 (101.6)	2.00 (50.8)	






NOTES:

- 1) MATERIAL: PVC (RMS-195).
- 2) COLOR: GRAY.
- 3) LENGTH: 6 1/2 FEET.
- 4) LID FURNISHED WITH BASE.
- 5) U.L. RECOGNIZED, NO. E161178.
- 6) C.S.A. RECOGNIZED, NO. LR40012-7.
- 7) AVAILABLE IN WHITE (W), BLACK (BK) AND BLUE (BL) BY SPECIAL ORDER. TO ORDER, ADD COLOR SUFFIX TO PART NUMBER.

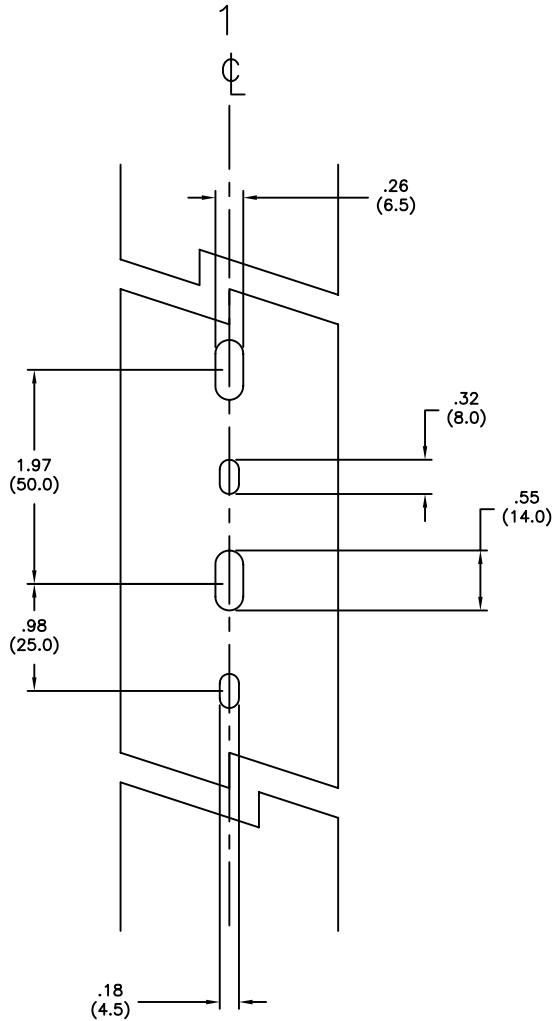
EX. OF NOTE 7: SRWD-XXXX-BL

SEE MOUNTING STYLE PRINT FOR OTHER DIM'S

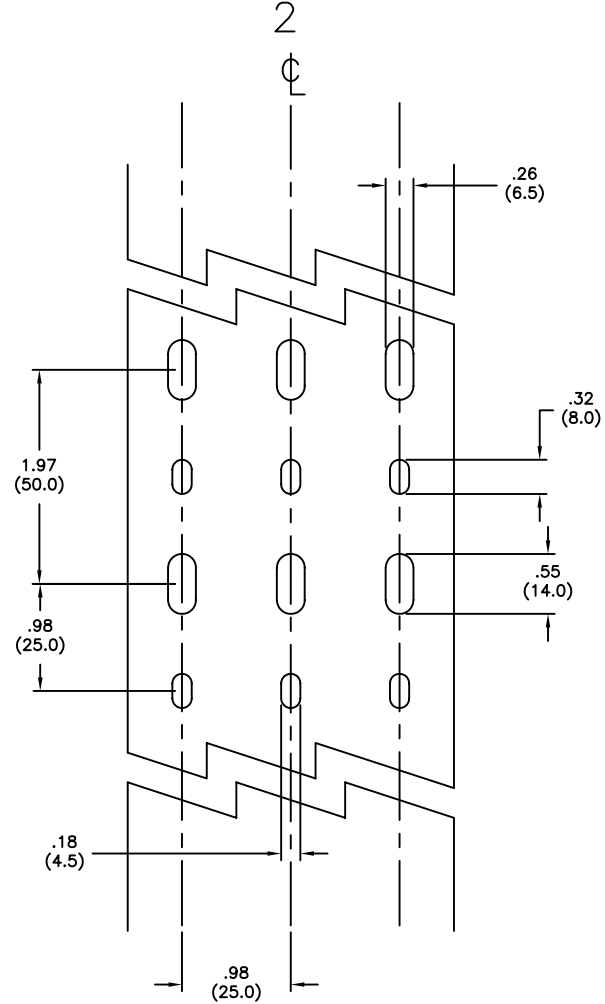
H	SEE CO 200041 FOR CHANGES	SK 09.28.07	TITLE: SLOTTED RICHCO WIRING DUCT	 	DWG IN	
G	SEE ECN #927 FOR CHANGES	SK 01.31.05			IN (MM)	
F	SEE ECN #863 FOR CHANGES	SM 10.04.04			FINAL	
E	ADDED BREAKOUT NOTE	SM 01.30.02	FILE # SRWD	DWN: J.B.	APP:	PART #
D	CHANGED FILE NO.	SM 10.29.01	MAT'L: SEE NOTES	DT: 12-14-96	DT:	
C	REARRANGED NOTES, ADDED COLOR NOTE	JK 7/28/99	RE: RICHCO. INC.	RICHCO INC. PO BOX 804238, CHICAGO, 60680 (773) 539-4060		PRINT TYPE CA
B	"A" DIMENSION WAS REFERENCED TO OUTSIDE	MO 9/11/98				
A	MOUNTING HOLE SPACING CHANGED	JB 02.29.96				
REV	DESCRIPTION	ENGR DATE				


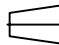

TOLERANCES  
UNLESS NOTED  
.XX=±.020  
.XXX=±.015  
FRAC=±1/32  
ANG=±1°

### MOUNTING STYLE



### MOUNTING STYLE



TITLE: MOUNTING STYLE DETAIL			  DWG IN IN (MM) 				
TOLERANCES UNLESS NOTED .XX=±.020 .XXX=±.015 FRAC=±1/32 ANG=±1'			FILE # SRWD	DWN: J.B.	APP:	FINAL	
MAT'L: SEE NOTES			DT: 12-14-96		DT:	PART #	
RE: RICHCO, INC.			RICHCO INC. PO BOX 804238, CHICAGO, 60680 (773) 539-4060		SRWD & SRWDN		PRINT TYPE CA

B	CHANGED FILE NO.	SM 10.29.01
A	MOUNTING HOLE SPACING CHANGED	JB 02.29.96
REV	DESCRIPTION	ENGR DATE