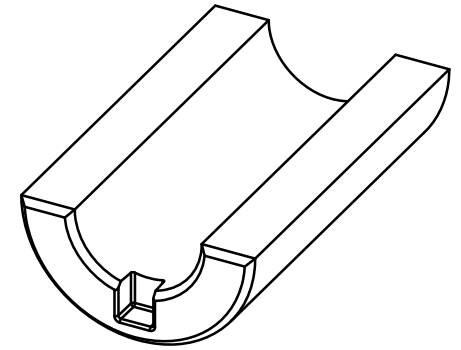
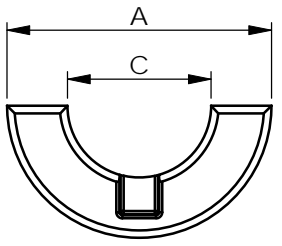
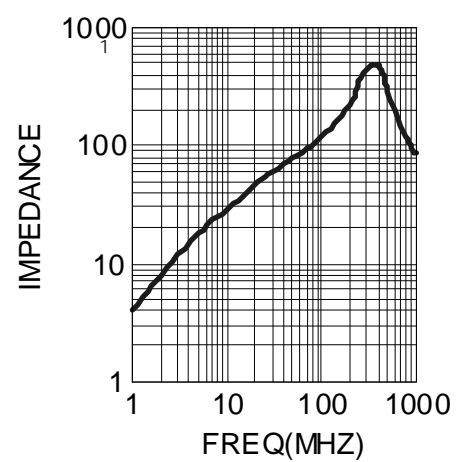
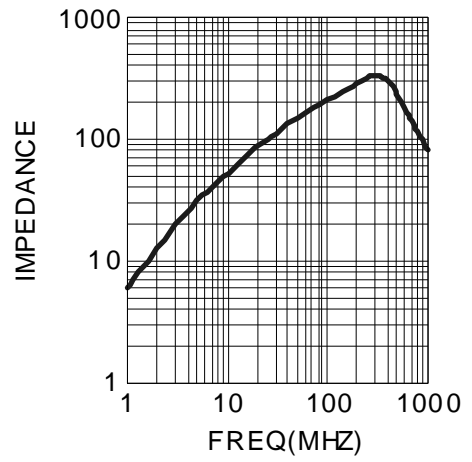


REV.	MODIFICATION.	DATE	DRN
01	NEW DRAWING	03/09/10	SF
02	CO2011032	22/12/10	SF



RRC-17-9-28-K5B

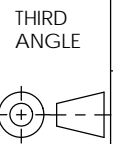
RRC-35-23-15-K5B



INFORMATION CONTAINED IN THIS DOCUMENT IS CONFIDENTIAL TO RICHCO INTERNATIONAL Co. Ltd. AND MAY NOT BE DISCLOSED OR REPRODUCED IN WHOLE OR PART WITHOUT THEIR WRITTEN CONSENT.

RICHCO, INC.
WWW.RICHCO-INC.COM

ALL DIMENSIONS IN mm
GENERAL TOLERANCES ±0.25
UNLESS OTHERWISE STATED
1 DECIMAL PLACE ±
2 DECIMAL PLACES ±
ANGULAR ±1°



FERRITE MATERIAL: K5B (RMS-303)								
PART NUMBER	APPLICABLE CABLE MAX	A	B	C	D	IMPEDANCE (Ω)		STANDARD PACK
						25MHz	100MHz	
RRC-17-9-28-K5B	9	17.5	28.5	9.5	8.75	98	160	80
RRC-35-23-15-K5B	22	35.5	15	22.5	17.4	51	108	24
STANDARD PACK SIZE MAY VARY								

MATERIAL: See table				COLOUR: See table	
DESCRIPTION: ROUND CABLE SUPPRESSION CORES				PART No: See Table	
DRG No: 010-059		NPR No: XXXX-XXX		SHEET SIZE A4	
DRN SF	DATE 03/09/10	CHKD CT	DATE 03/09/10	SCALE NTS	SHEET No. 1 OF 1