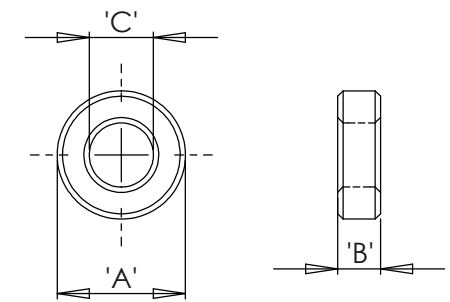
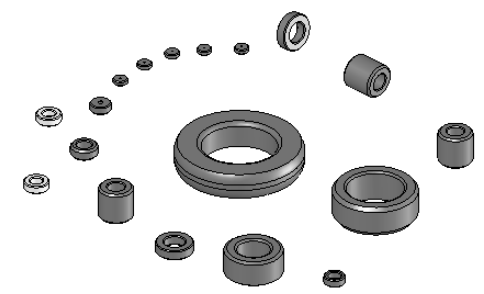


FERRITE MATERIAL: K5B(RMS-303)							
PART NUMBER	A	B	IMPEDANCE (Ω)		STANDARD PACK		
			25MHz	100MHz			
RT-160-100-80	16.00	8.00	29	55	200		
RT-160-100-100		10.00	43	85	150		
RT-160-120-80		8.00	12.00	26	48	200	
RT-160-120-150		15.00		33	58		
RT-165-82-130	16.50	13.00	70	125	120		
RT-165-82-160		16.00	83	140			
RT-165-92-75		7.50	9.2	35	70	200	
RT-175-80-100	17.50	10.00	62	94	98		
RT-175-95-50		5.00	10.00	22	44	200	
RT-175-95-64		6.00	9.50	31	53		
RT-175-95-70		7.00		30	54		
RT-175-95-110		11.00		55	96		
RT-175-95-127		13.00		59	95	100	
RT-175-95-135		14.00		63	115		
RT-175-95-150		15.00		70	113	112	
RT-175-107-80		8.00	10.70	33	60	200	
RT-180-100-60		6.00	10.00	31	55		
RT-180-100-100	18.00	47		77			
RT-180-100-150	15.00	69		123			
RT-187-102-143	18.67	14.27	70	119	100		
RT-187-102-170		17.02	75	125			
RT-190-100-100	19.00	10.00	54	102	200		
RT-190-120-80		8.00	12.00	32		72	
RT-190-120-100		10.00	37	78	100		
RT-200-100-50		20.00	5.00	28	68	140	
RT-200-100-80	8.00		10.00	38	62	100	
RT-200-100-100	10.00		50	82			
RT-200-120-100	10.00		12.00	40	68	84	
RT-205-102-100	20.50	10.20	53	86	80		
RT-212-127-60	21.20	6.00	12.70	27	52	200	
RT-220-135-64	22.00	6.35	13.50	28	53		
RT-220-135-80		8.00	37	78	100		
RT-220-140-65		7.00	14.00	28	68	84	
RT-220-140-80		8.00		33	73	100	
RT-220-140-100		10.00		42	90	84	
RT-220-140-120		12.00		40	85		
RT-221-137-127		22.10	12.70	13.72	48	83	100
RT-225-138-64		22.50	6.40	13.80	25	47	200
RT-225-138-127	12.70		46	71	50		
RT-230-135-64	23.00	6.35	13.50	28	53	200	
RT-236-114-140	23.60	14.00	11.40	80	133	60	
RT-236-150-60		6.00	15.00	26	70	72	
RT-236-150-114		11.00		43	85	100	
RT-250-150-80		8.00		38	79		
RT-250-150-100	25.00	10.00		44	87	50	
RT-250-150-120		12.00	53	97	60		
RT-250-150-150		15.00	61	105			
RT-254-127-64	25.40	6.35	12.70	39	80	100	
RT-259-128-213	25.91	21.30	12.80	106	174	40	
RT-260-130-127	26.00	12.70	13.00	74	125	50	

FERRITE MATERIAL: K5B(RMS-303)						
PART NUMBER	A	B	C	IMPEDANCE (Ω)		STANDARD PACK
				25MHz	100MHz	
RT-280-160-75	28.00	7.50	16.00	33	59	100
RT-280-160-130		13.00		55	100	50
RT-280-160-170		17.00		71	120	
RT-280-160-200		20.00		85	155	40
RT-290-190-75	29.00	7.50	19.00	26	70	100
RT-290-190-77		7.70		33	76	50
RT-290-190-138		13.80		46	94	40
RT-310-190-70	31.00	7.00	35	77		
RT-310-190-80		8.00	30	55		
RT-310-190-160		16.00	68	115		
RT-310-190-222	22.00	88	146	32		
RT-360-250-70	36.00	7.00	25.00	23	63	36
RT-360-250-127		13.00		39	84	24
RT-406-274-150	40.60	15.00	27.40	55	106	18
RT-594-348-128	59.40	12.80	34.80	58	118	10

REV.	MODIFICATION.	DATE	DRN
01	NEW DRAWING	19/06/06	NJB
02	CO2010196	24/04/08	SF
03	CO2010845	20/10/09	OW
04	CO2010989	01/10/10	SF
05	CO2011049	26/01/11	SF
06	CO2011144	17/05/11	SF
07	CO2011253	16/04/12	SF
08	CO2011277	31/07/12	SF



- NOTES.
- 1) See drawings 06-073 sheets 3 of 12 to 12 for Impedance graphs.
  - 2) Impedance figures are typical values.
  - 3) Other sizes available by special order.
  - 4) Packaging information is only a guide & subject to variation.

INFORMATION CONTAINED IN THIS DOCUMENT IS CONFIDENTIAL TO RICHCO INTERNATIONAL Co. Ltd. AND MAY NOT BE DISCLOSED OR REPRODUCED IN WHOLE OR PART WITHOUT THEIR WRITTEN CONSENT.			
<b>RICHCO, INC.</b> WWW.RICHCO-INC.COM		ALL DIMENSIONS IN MM GENERAL TOLERANCES ±0.25 UNLESS OTHERWISE STATED 1 DECIMAL PLACE ± 2 DECIMAL PLACES ± ANGULAR ±1°	THIRD ANGLE 
MATERIAL: <b>See Table</b>		COLOUR:	
DESCRIPTION: <b>RT Toroid Cores.</b>		PART No: <b>See Table</b>	
DRG No: <b>06-073</b>	NPR No:	Mass:(g)	SHEET SIZE <b>A3</b>
DRN <b>NJB</b>	DATE <b>19/06/06</b>	CHKD <b>AS</b>	DATE <b>19/06/06</b>
SCALE <b>NTS</b>		SHEET No. <b>2 OF 12</b>	