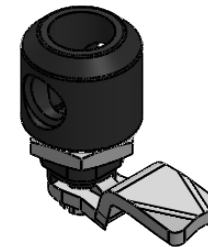
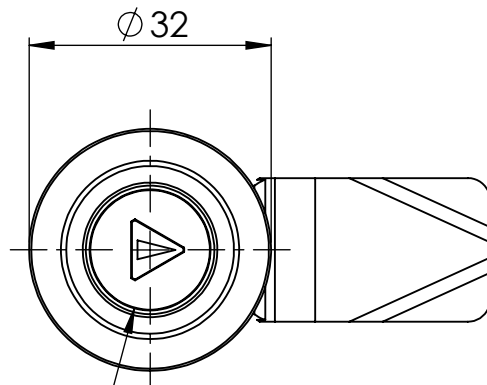


CUT OUT



1:2



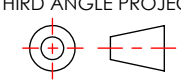
7mm  
TRIANGULAR

NOTE

MATERIAL  
 HOUSING: ZAMAK ZNAL4CU1  
 DRIVER: ZAMAK ZNAL4CU1  
 CAM : STEEL  
 GASKET: RUBBER

ACTION : RH/LH  
 FINISH : BLACK COATED

UNLESS OTHERWISE STATED

ALL DIMENSIONS IN mm		DO NOT SCALE	
LINEAR TOLERANCE		THIRD ANGLE PROJECTION	
SIZE	(0) (0.0) (0.00)	 ANGULAR TOLERANCE ±0.5 DEGREES UNSPECIFIED RADII 0.25mm DRAFT ANGLE 0.5 DEGREES DIMENSIONS IN BRACKETS [ ] ARE IN INCHES FOR REFERENCE ONLY	
0-10mm	±0.5 ±0.15 ±0.10		
>10-30	±0.5 ±0.20 ±0.15		
>30-50	±0.5 ±0.30 ±0.20		
>50-100	±0.8 ±0.50 ±0.25		
>100-200	±1.5 ±0.80 ±0.40		
>200-300	±2.0 ±1.20 ±0.80		
>300-500	±3.0 ±2.00 ±1.00		
>500	±5.0 ±3.00 ±1.50		

ORG. SCALE: 1:1      CREATE DATE: 05/10/2018

MATERIAL: SEE NOTES

Part ID: 1160124      Project: P020275-1

TITLE:  
QTRN 7TRI GRPR 8.5MM

DWG. No. 26012123760      SHEET 1 of 1  
ISSUE 1

APPROVED - UNCONTROLLED