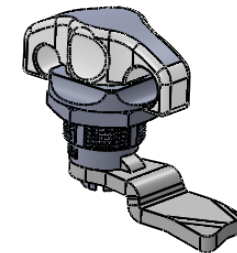
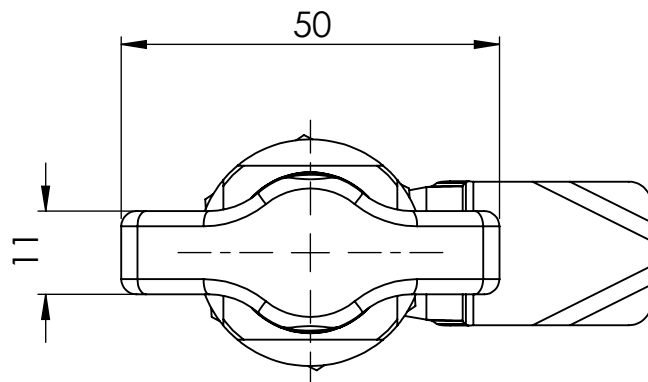


CUT OUT



1:2



NOTE:

MATERIAL

HOUSING : ZAMAK ZNAL4CU1

DRIVER : ZAMAK ZNAL4CU1

CAM : STEEL

ACTION : LH/RH

FINISH : BLACK COATED

UNLESS OTHERWISE STATED

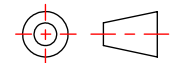
ALL DIMENSIONS IN mm

DO NOT SCALE

LINEAR TOLERANCE

SIZE	(0)	(0.0)	(0.00)
0-10mm	±0.5	±0.15	±0.10
>10-30	±0.5	±0.20	±0.15
>30-50	±0.5	±0.30	±0.20
>50-100	±0.8	±0.50	±0.25
>100-200	±1.5	±0.80	±0.40
>200-300	±2.0	±1.20	±0.80
>300-500	±3.0	±2.00	±1.00
>500	±5.0	±3.00	±1.50

THIRD ANGLE PROJECTION



ANGULAR TOLERANCE ±0.5 DEGREES  
 UNSPECIFIED RADII 0.25mm  
 DRAFT ANGLE 0.5 DEGREES  
 DIMENSIONS IN BRACKETS [ ] ARE  
 IN INCHES FOR REFERENCE ONLY

ORG. SCALE: 1:1

CREATE DATE: 26/09/2017

MATERIAL: SEE NOTES

Part ID: 1336484

Project: P020275-1

TITLE:  
 PADLOCKABLE BLACK  
 ZAMAK LOCK WING KNOB

DWG. No.

562234E

SHEET  
 1 of 1  
 ISSUE  
 1

AWAITING APPROVAL