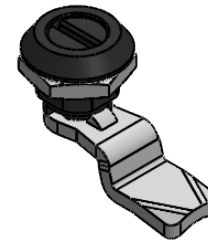
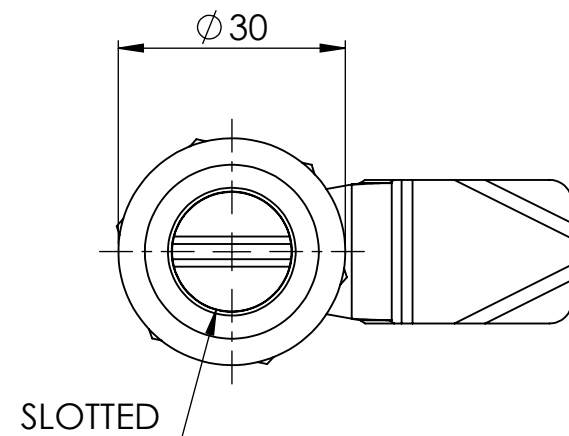


CUT OUT



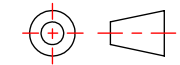
1:2

NOTE

MATERIAL  
 HOUSING : PA6GFR30  
 DRIVER : PA6GFR30  
 CAM : STEEL  
 GASKET : RUBBER

ACTION : LH/RH

UNLESS OTHERWISE STATED

|                           |                                                                                      |
|---------------------------|--------------------------------------------------------------------------------------|
| ALL DIMENSIONS IN mm      | DO NOT SCALE                                                                         |
| LINEAR TOLERANCE          | THIRD ANGLE PROJECTION                                                               |
| SIZE (0) (0.0) (0.00)     |  |
| 0-10mm ±0.5 ±0.15 ±0.10   | ANGULAR TOLERANCE ±0.5 DEGREES                                                       |
| >10-30 ±0.5 ±0.20 ±0.15   | UNSPECIFIED RADII 0.25mm                                                             |
| >30-50 ±0.5 ±0.30 ±0.20   | DRAFT ANGLE 0.5 DEGREES                                                              |
| >50-100 ±0.8 ±0.50 ±0.25  | DIMENSIONS IN BRACKETS [ ] ARE IN INCHES FOR REFERENCE ONLY                          |
| >100-200 ±1.5 ±0.80 ±0.40 |                                                                                      |
| >200-300 ±2.0 ±1.20 ±0.80 |                                                                                      |
| >300-500 ±3.0 ±2.00 ±1.00 |                                                                                      |
| >500 ±5.0 ±3.00 ±1.50     |                                                                                      |

ORG. SCALE: 1:1 CREATE DATE: 11/10/2018

MATERIAL: SEE NOTES

Part ID: 1079694 Project: P020065-2

TITLE: QRTN SLTD GRPR 28.5MM

DWG. No. 060204247E

SHEET  
1 of 1  
ISSUE  
1

AWAITING APPROVAL