

Product Data Sheet 6314 H

**ebmpapst**

The engineer's choice



**6314 H****INDEX**

<b>1</b>	<b>General</b> .....	<b>3</b>
<b>2</b>	<b>Mechanics</b> .....	<b>3</b>
2.1	General.....	3
2.2	Connections.....	3
<b>3</b>	<b>Operating Data</b> .....	<b>5</b>
3.1	Electrical Operating Data .....	5
3.2	Electrical Features.....	5
3.3	Aerodynamics.....	11
3.4	Sound Data.....	12
<b>4</b>	<b>Environment</b> .....	<b>12</b>
4.1	General.....	12
4.2	Climatic Requirements .....	12
<b>5</b>	<b>Safety</b> .....	<b>13</b>
5.1	Electrical Safety.....	13
5.2	Approval Tests .....	13
<b>6</b>	<b>Reliability</b> .....	<b>13</b>
6.1	General.....	13

**1 General**

Fan type	Fan	
Rotating direction looking at rotor	Counterclockwise	
Airflow direction	Air outlet over struts	
Bearing system	Ball bearing	
Mounting position - shaft	Any	

**2 Mechanics****2.1 General**

Depth	51,0 mm	
Diameter	172,0 mm	
Mass	0,825 kg	
Housing material	Metal	
Impeller material	Plastic	
Max. torque when mounted across both mounting flanges Screw size	Wire outlet corner: 600 Ncm Remaining corners: 600 Ncm ISO 4762 - M4 degreased, without an additional brace and without washer	

**2.2 Connections**

Electrical connection	Wires	
Lead wire length	L = 365 mm	
Tolerance	+ - 10,0 mm	
Tube length	S = 10 mm	
Tolerance	+ - 2,0 mm	



Wire	Color	Operation	Wire size	Insulation diameter
1	red	+ UB	AWG 22	1,7 mm
2	blue	- GND	AWG 22	1,7 mm

The auxiliaries shown on the schematic diagram (which are required for the intended use) are not part of our delivery.

### 3 Operating Data

#### 3.1 Electrical Operating Data

Measurement conditions: Normal air density = 1,2 kg/m<sup>3</sup>; Temperature 23°C +/- 3°C; Motor axis horizontal; warm-up time before measuring 5 minutes (unless otherwise specified). In the intake and outlet area should not be any solid obstruction within 0,5 m.

$\Delta p = 0$ : corresp. to free air flow (see chapter aerodynamics)  
I: corresp. to arithm. mean current value

**Note:**

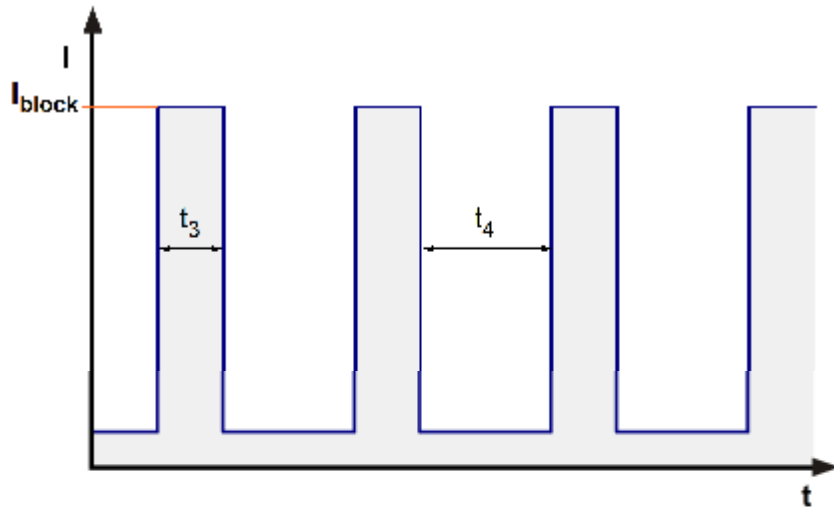
No inrush current at  $U_{nom}$  means:

The internal electrolytic capacitor 470uF/35V has no resistor or inrush current limitation, essentially the power supply and the type and length of the connecting cable is limiting the Inrush current.

Features	Condition	Symbol	Values		
Voltage range		U	16,0 V		30,0 V
Nominal voltage		$U_N$		24,0 V	
Power consumption	$\Delta p = 0$	P	16,5 W	30 W	32 W
Tolerance	0010		+/- 15 %	+/- 10 %	+/- 10 %
Current consumption	$\Delta p = 0$	I	1.040 mA	1.250 mA	1.050 mA
Tolerance	0010		+/- 15 %	+/- 10 %	+/- 10 %
Speed	$\Delta p = 0$	n	3.900 1/min	5.000 1/min	5.000 1/min
Tolerance	0010		+/- 10 %	+/- 5 %	+/- 5 %
Starting current consumption				1.900 mA	

#### 3.2 Electrical Features

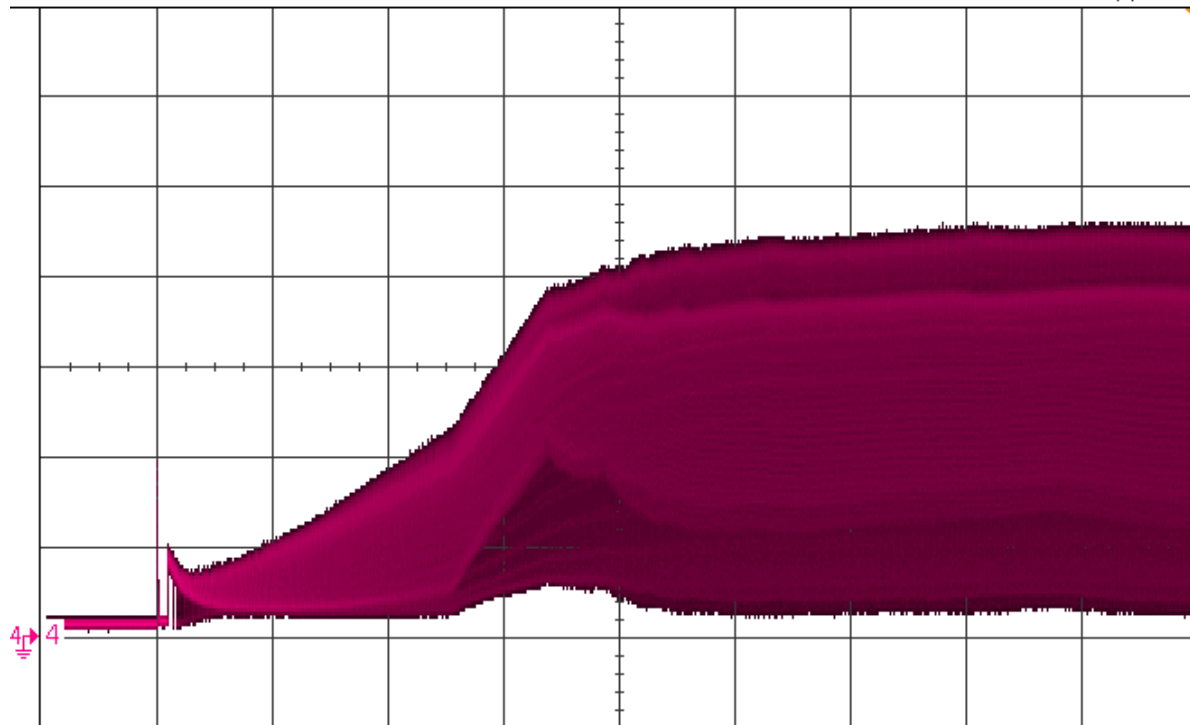
Electronic function	Speed-Controlled	
Reversed polarity protection	Rectifying diode	
Max. residual current at $U_N$	$I_F \leq 5$ mA	
Locked rotor protection	Auto restart	
Locked rotor current at $U_N$	$I_{block}$	
Clock signal at locked rotor	$t_3 / t_4$ typical: 0,5 s / 7,0 s	



Start-up current @ 48 V ( $I = 500\text{MA/div}$  ;  $t = 2\text{s/div}$ )

DSO-X 3034A, MY52012719: Fri Dec 06 11:52:40 2013

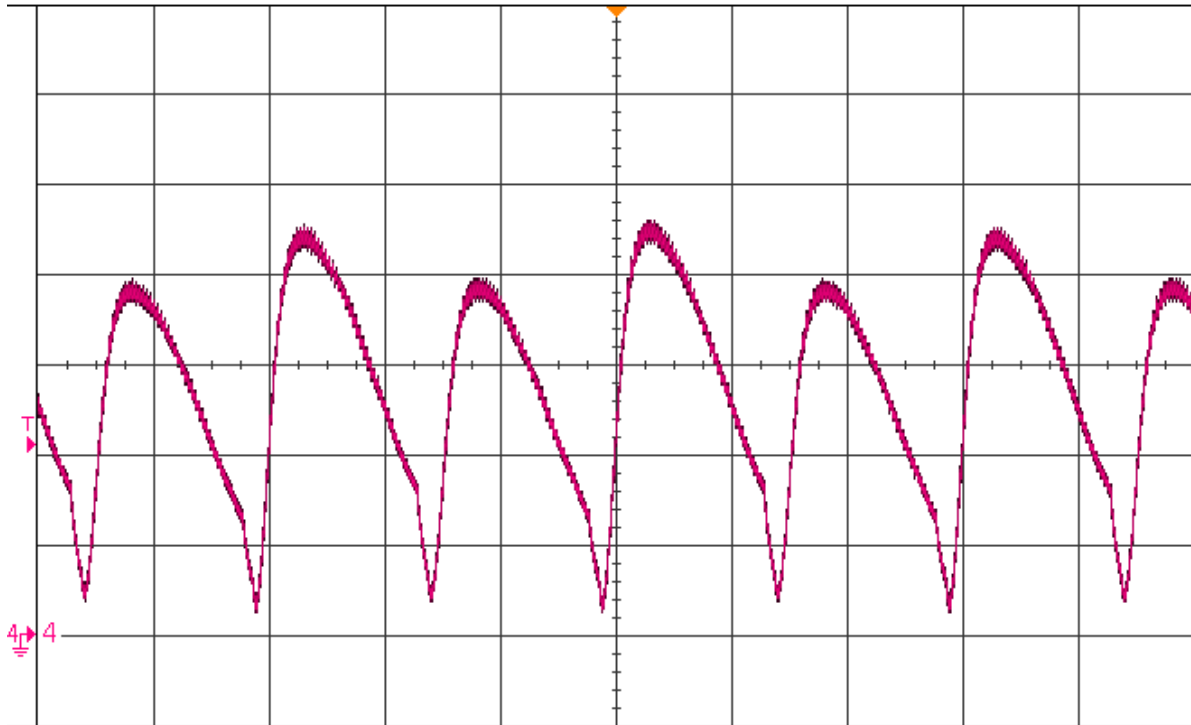
1 2 3 4 500%/-100.0% 2.000s/ Stopp



Running current @ 24 V (I = 500mA/div ; t = 2ms/div)

DSO-X 3034A, MY52012719: Fri Dec 06 11:53:45 2013

1 2 3 4 500%/ 0.0s 2.000μs/ Stopp

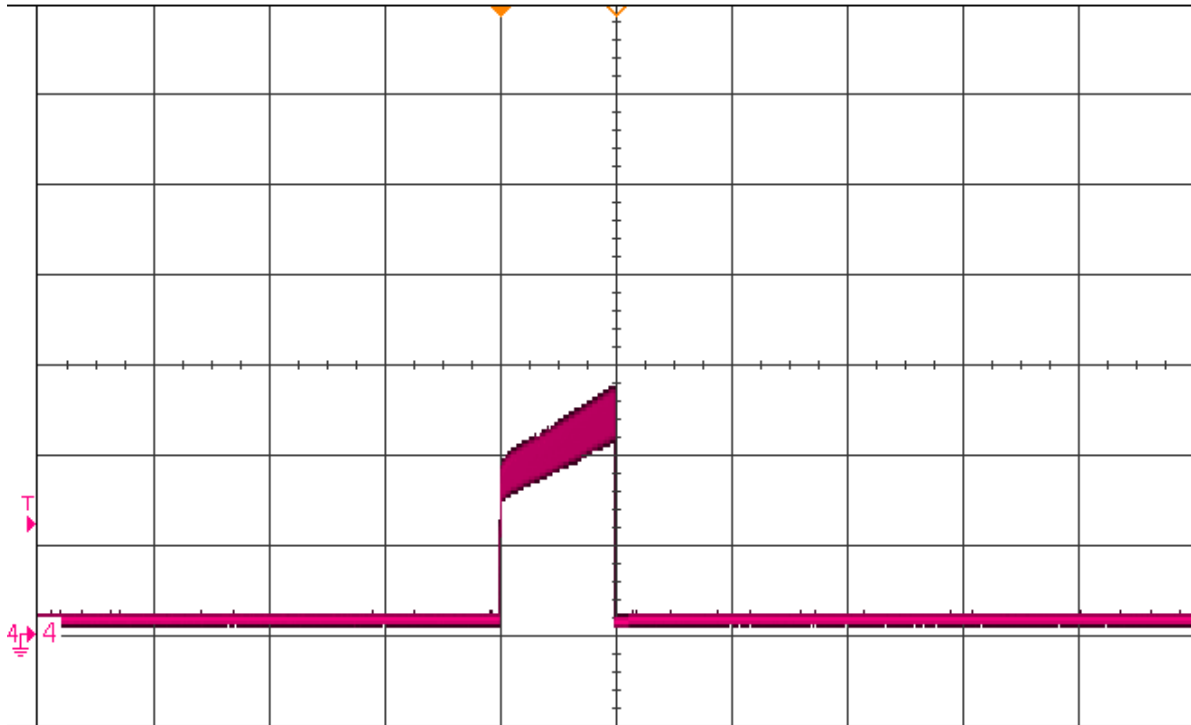


Locked rotor current @ 24 V (I = 500mA/div ; t = 500ms/div)



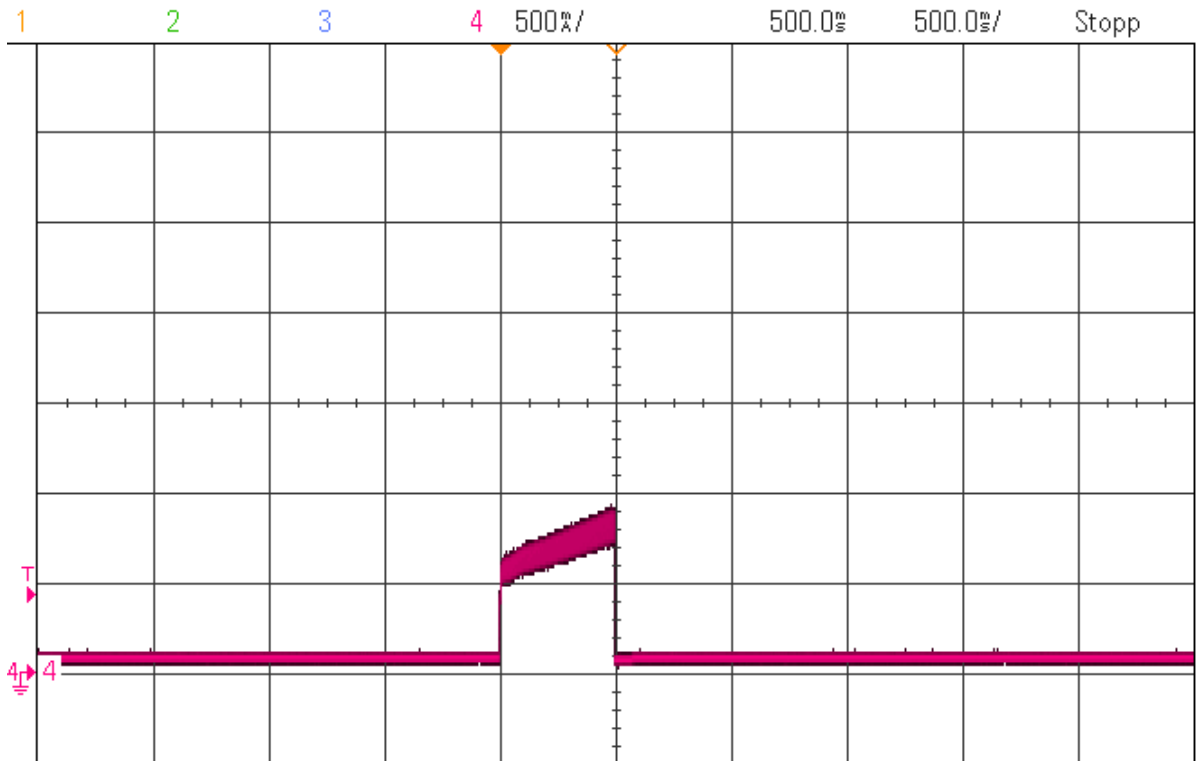
DSO-X 3034A, MY52012719: Fri Dec 06 11:48:51 2013

1 2 3 4 500%/ 500.0µs 500.0µs/ Stopp



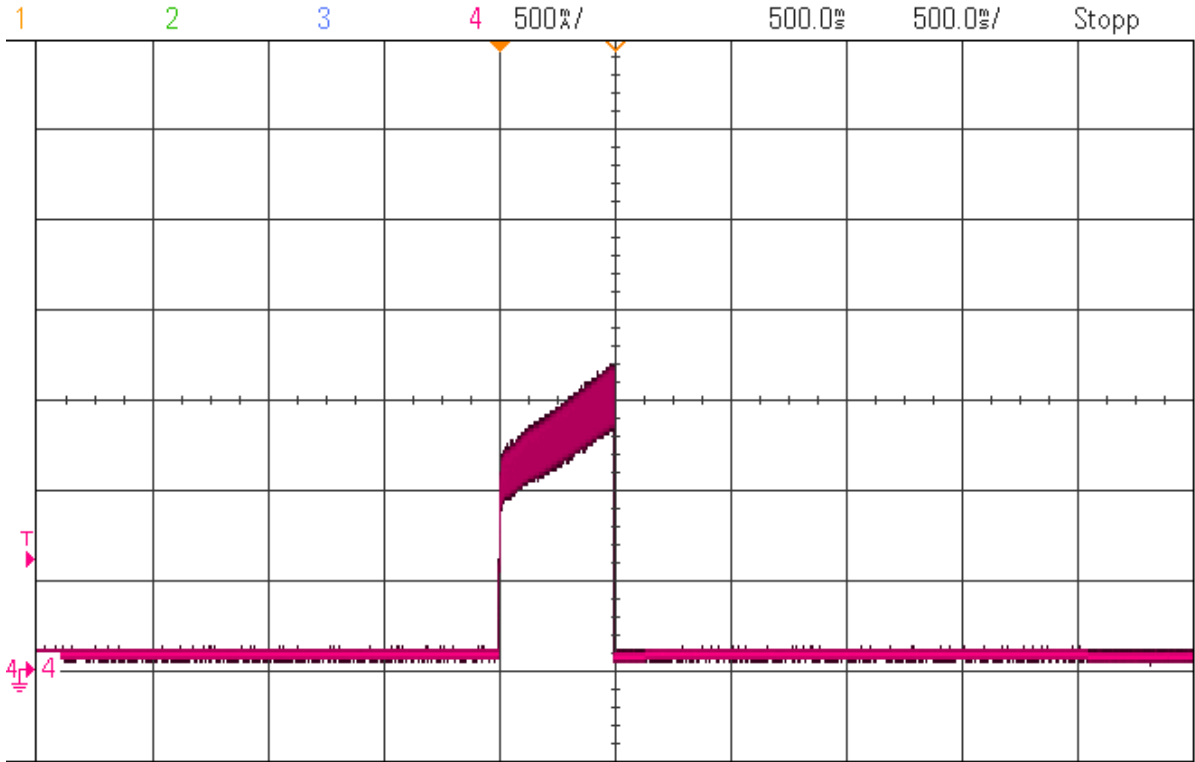
Locked rotor current @ 16 V (I = 500mA/div ; t = 500ms/div)

DSO-X 3034A, MY52012719: Fri Dec 06 11:51:30 2013



Locked rotor current @ 30 V (I = 500mA/div ; t = 500ms/div)

DSO-X 3034A, MY52012719: Fri Dec 06 11:48:08 2013



**Internal Fuse:**  
**Littlefuse NANO2(R) FUSE; Very fast acting 451 Series; 4 A (Art.-Nr.: 451004)**

**3.3 Aerodynamics**

Measurement conditions: Measured with a double chamber intake rig acc. to DIN EN ISO 5801.  
 Normal air density = 1,2 kg/m<sup>3</sup>; Temperature 23°C +/- 3°C;  
 In the intake and outlet area should not be any solid obstruction within 0,5 m. Motor shaft horizontal.  
 The information is only valid under the specified test conditions and may be changed by the installation conditions. If there are deviations from the standard test conditions, the characteristic values must be checked under the installed conditions.

a.) Operation condition:

5.000 1/min at free air flow	
Max. free-air flow ( $\Delta p = 0 / \dot{V} = \text{max.}$ )	545,0 m <sup>3</sup> /h
Max. static pressure ( $\Delta p = \text{max.} / \dot{V} = 0$ )	410 Pa

### 3.4 Sound Data

Measurement conditions: Sound pressure level: 1 meter distance between microphone and the air intake.  
 Sound power level: Acc. to DIN 45635 part 38 (ISO 10302)  
 Measured in a semianchoic chamber with a background noise level of  $L_p(A) < 5 \text{ dB}(A)$   
 For further measurement conditions see chapter aerodynamics.

a.) Operation condition:

5.000 1/min at free air flow
------------------------------

Optimal operating point	450,0 m <sup>3</sup> /h @ 117 Pa	
Sound power level at the optimal operating point	6,9 bel(A)	
Sound pressure level at free air flow, measured in rubber bands	58,0 dB(A)	

## 4 Environment

### 4.1 General

Min. permitted ambient temperature TU min.	-20 °C	
Max. permitted ambient temperature TU max.	65 °C	
Min. permitted storage temperature TL min.	-40 °C	
Max. permitted storage temperature TL max.	80 °C	

### 4.2 Climatic Requirements

Humidity requirements	humid heat, constant; according to DIN EN 60068-2-78, 14 days	
Water exposure	None	
Dust requirements	None	
Salt fog requirements	None	

Permitted application area:

The product is intended for use in sheltered rooms with controlled temperature and controlled humidity. Directly exposure to water must be avoided.

Pollution degree 1 (according DIN EN 60664-1)

There is either no pollution or it occurs only dry, non-conductive pollution. The pollution has no negative impact.

Please require severity levels and specification parameters from the responsible development departments.

## 5 Safety

### 5.1 Electrical Safety

Dielectric strength DIN EN 60950 (VDE 0805) and DIN EN 60335 (VDE 0700) A.) Type test Measuring conditions: After 48h of storage at 95% R.H. and 25°C. No arcing or breakdown is allowed! All connections together to ground. B.) Routine test Measuring conditions: At indoor climate. No arcing or breakdown is allowed! All connections together to ground.	500 VAC / 1 Min.  850 VDC / 1 Sec.	
Isolation resistance Measuring conditions: After 48h of storage at 95% R.H. and 25°C measured with U=500 VDC for 1 min.	RI > 10 MOhm	
Clearance / creepage distance	1,0 mm / 1,2 mm	
Protection class	III	

### 5.2 Approval Tests

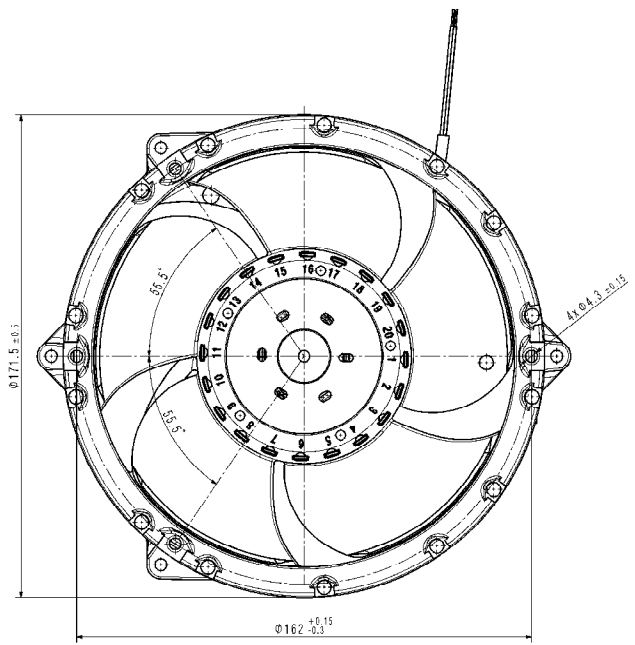
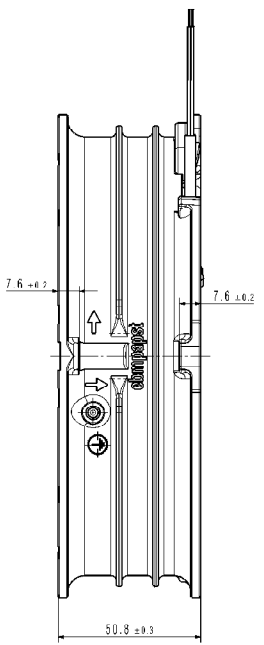
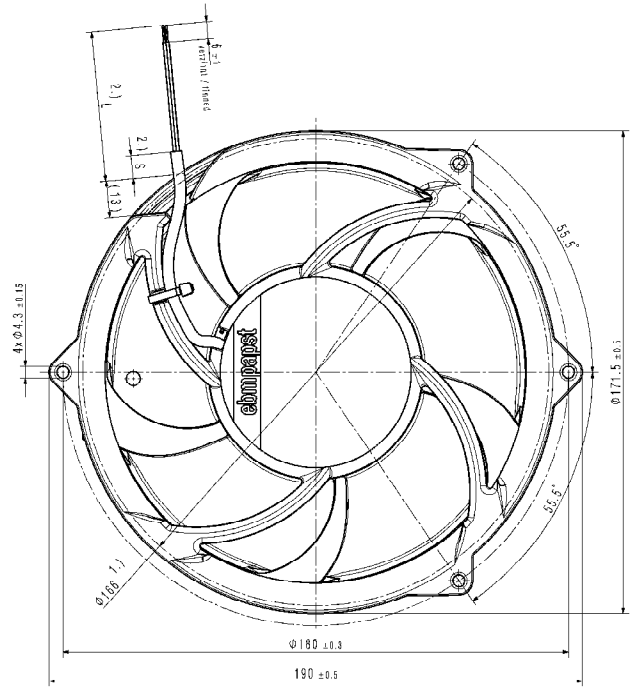
CE	EC Declaration of Conformity	Yes
EAC	Eurasian Conformity	Yes
UL	Underwriters Laboratories	Yes / UL507, Electric Fans
VDE	Association for Electrical, Electronic and Information Technologies	Yes / Approval acc. to EN 60950 (VDE 0805) - Information technology equipment
CSA	Canadian Standards Association	Yes / C22.2 No. 113 Fans and Ventilators
CCC	China Compulsory Certification	Not applicable

## 6 Reliability

### 6.1 General

Life expectancy L10 at TU = 40 °C	77.500 h	
Life expectancy L10 at TU max.	42.500 h	
Life expectancy L10 acc. to IPC 9591 at TU = 40 °C	130.000 h	

1) Dimensionen sind in mm angegeben.  
 2) Die Zeichnung ist als Montagezeichnung zu verstehen.  
 3) Die Zeichnung ist als Montagezeichnung zu verstehen.  
 4) Die Zeichnung ist als Montagezeichnung zu verstehen.



- 1.) Maße aus Montageausschnitt
  - 2.) Anzahl und Länge der Litzen/Schlauch siehe Produktspezifikation
  - 3.) Nur wenn in Stückliste enthalten
- Axialspiel der Kugellager mit Feder spielfrei gelagert
- 1.) measures of mounting cut out
  - 2.) length an number of wires/tube see product specification
  - 3.) only it is included in bill of material
- ball bearing without clearance by a pre-load spring

BE Einzel-Zeichn. 	Part. No. / Zeichn. Nr.	ZUSÄTZLICHE TECHNISCHE ANFORDERUNGEN	DRUCKZEICHEN DRUCKZEICHEN	Bauart / Material:	
				Name / Name	
Fertigung / Adresse:				Abz. / Platz:	
Abgleich / Dimension:				Fert. / Fertigung:	
Abgleich / Dimension:				Fert. / Fertigung:	
<b>abmpapst</b>				Fert. / Fertigung:	
Fert. / Fertigung:				Fert. / Fertigung:	