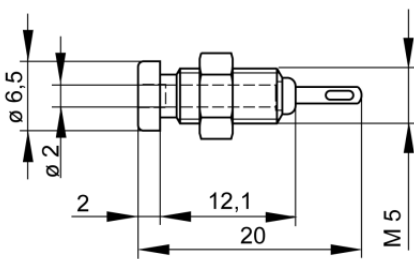


Sockets

MBU 1



Product	MBU 1
description	2 mm diameter bright metal miniature socket. Brass nickel-plated socket body, tin-plated copper beryllium contact spring, with solder connection. Suitable for in stallation in equipment chassis and switch panels up to a maximum wall thickness of 8 mm.
Articlenummer	930312000 Sn
drawing	
	
technical data	
connection	solder connection
rated voltage ⁽¹⁾	30 VAC / 60 VDC
measurement cat. acc. to IEC 61010	O ⁽³⁾
rated current ⁽¹⁾ (consider derating curve)	6 A
material socket	contact spring: copper - beryllium
standard	IEC 61010

2 mm system

⁽¹⁾ for normal environmental conditions -5°C to +40°C

⁽³⁾ Other circuits that are not directly connected to mains

stand: 30.07.2018