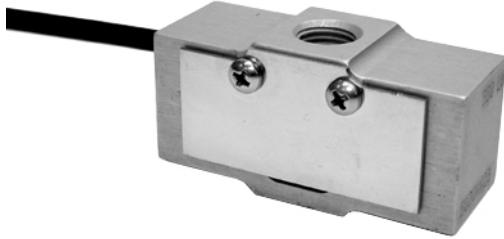


Compact Tension/Compression Load Cell



FEATURES

- Capacities 50 - 500lb
- Anodized aluminum construction
- IP65 protection
- For use in tension or compression

DESCRIPTION

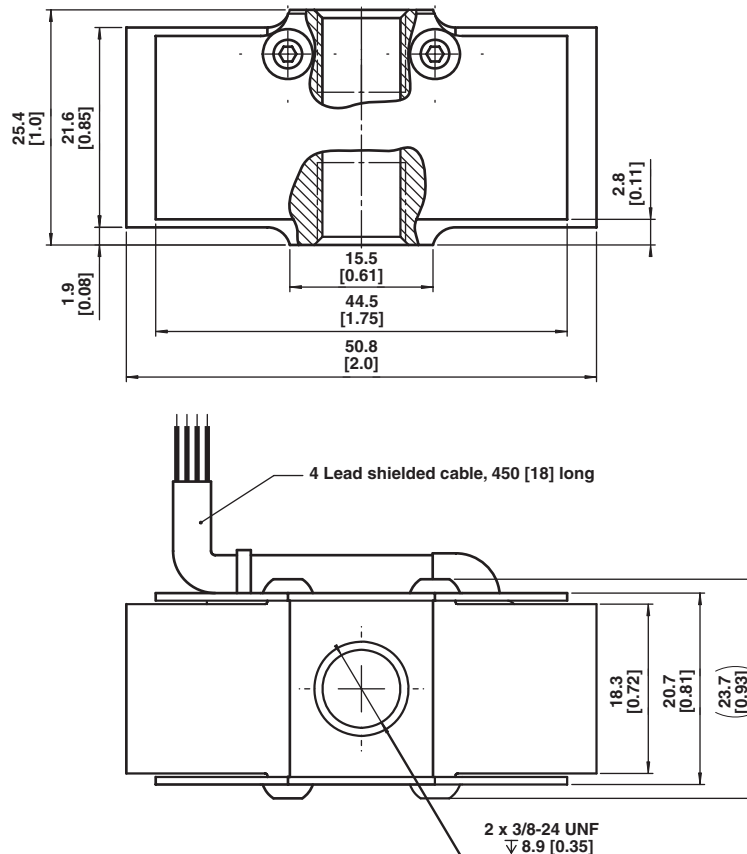
Model 327 is a universal tension-compression load cell. Its compact envelope makes the 327 suitable for small size applications.

Its low profile makes the 327 ideal for applications requiring minimal installation height.

APPLICATIONS

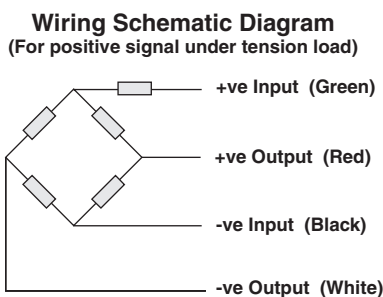
- Hanging scales
- General force measurement

OUTLINE DIMENSIONS in mm [inch]



SPECIFICATIONS

PARAMETER	VALUE	UNIT
Rated capacity-R.C.	50, 100, 150, 200, 250, 300, 500	lb
Accuracy class	Non-Approved	
Rated output-R.O.	2.0	mV/V
Rated output tolerance	0.2	±mV/V
Zero balance	0.2	±mV/V
Total Error	0.25	±% of R.O.
Creep & Zero Return	0.10	±% of load
Temperature effect on zero	0.025	±% of R.O./°C
Temperature effect on output	0.010	±% of load/°C
Operating temperature range	-10 to +40	°C
Safe temperature range	-30 to +70	°C
Maximum safe static overload	150	% of R.C.
Ultimate static overload	200	% of R.C.
Recommended excitation	10	Vdc or Vac
Maximum excitation	15	Vdc or Vac
Input impedance	450±40	Ω
Output impedance	350±5	Ω
Insulation resistance	>2000	MΩ
Cable length	45	cm
Construction	Anodized aluminum	



Disclaimer

All product specifications and data are subject to change without notice.

Vishay Precision Group, Inc., its affiliates, agents, and employees, and all persons acting on its or their behalf (collectively, "Vishay Precision Group"), disclaim any and all liability for any errors, inaccuracies or incompleteness contained herein or in any other disclosure relating to any product.

Vishay Precision Group disclaims any and all liability arising out of the use or application of any product described herein or of any information provided herein to the maximum extent permitted by law. The product specifications do not expand or otherwise modify Vishay Precision Group's terms and conditions of purchase, including but not limited to the warranty expressed therein, which apply to these products.

No license, express or implied, by estoppel or otherwise, to any intellectual property rights is granted by this document or by any conduct of Vishay Precision Group.

The products shown herein are not designed for use in medical, life-saving, or life-sustaining applications unless otherwise expressly indicated. Customers using or selling Vishay Precision Group products not expressly indicated for use in such applications do so entirely at their own risk and agree to fully indemnify Vishay Precision Group for any damages arising or resulting from such use or sale. Please contact authorized Vishay Precision Group personnel to obtain written terms and conditions regarding products designed for such applications.

Product names and markings noted herein may be trademarks of their respective owners.