

Mitsubishi Electric AC Servo System

MITSUBISHI ELECTRIC SERVO SYSTEM
MELSERVO-J5

MR-J5-G-N1/MR-J5W-G-N1 User's Manual (Communication Function)



-MR-J5- _G- _N1
-MR-J5W- _G- _N1
-MR-J5D- _G- _N1

SAFETY INSTRUCTIONS

Please read the instructions carefully before using the equipment.

To use the equipment correctly, do not attempt to install, operate, maintain, or inspect the equipment until you have read through this manual, installation guide, and appended documents carefully. Do not use the equipment until you have a full knowledge of the equipment, safety information and instructions.





In this manual, the safety instruction levels are classified into "WARNING" and "CAUTION".

 WARNING	Indicates that incorrect handling may cause hazardous conditions, resulting in death or severe injury.
 CAUTION	Indicates that incorrect handling may cause hazardous conditions, resulting in medium or slight injury.

Note that the CAUTION level may lead to a serious consequence depending on conditions.

Please follow the instructions of both levels because they are important to personnel safety.

Forbidden actions and required actions are indicated by the following diagrammatic symbols.

	Indicates a forbidden action. For example, "No Fire" is indicated by  .
	Indicates a required action. For example, grounding is indicated by  .

In this manual, precautions for hazards that can lead to property damage, instructions for other functions, and other information are shown separately in the "POINT" area.

After reading this manual, keep it accessible to the operator.

[Installation/wiring]

WARNING

- To prevent an electric shock, turn off the power and wait for 15 minutes or more (20 minutes or more for a converter unit/drive unit) before starting wiring and/or inspection.
 - To prevent an electric shock, ground the servo amplifier.
 - To prevent an electric shock, any person who is involved in wiring should be fully competent to do the work.
 - To prevent an electric shock, mount the servo amplifier before wiring.
 - To prevent an electric shock, connect the protective earth (PE) terminal of the servo amplifier to the protective earth (PE) of the cabinet, then connect the grounding lead wire to the ground.
 - To prevent an electric shock, do not touch the conductive parts.
-

[Setting/adjustment]

WARNING

- To prevent an electric shock, do not operate the switches with wet hands.
-

[Operation]

WARNING

- To prevent an electric shock, do not operate the switches with wet hands.
-

[Maintenance]

WARNING

- To prevent an electric shock, any person who is involved in inspection should be fully competent to do the work.
 - To prevent an electric shock, do not operate the switches with wet hands.
-

ABOUT THE MANUAL

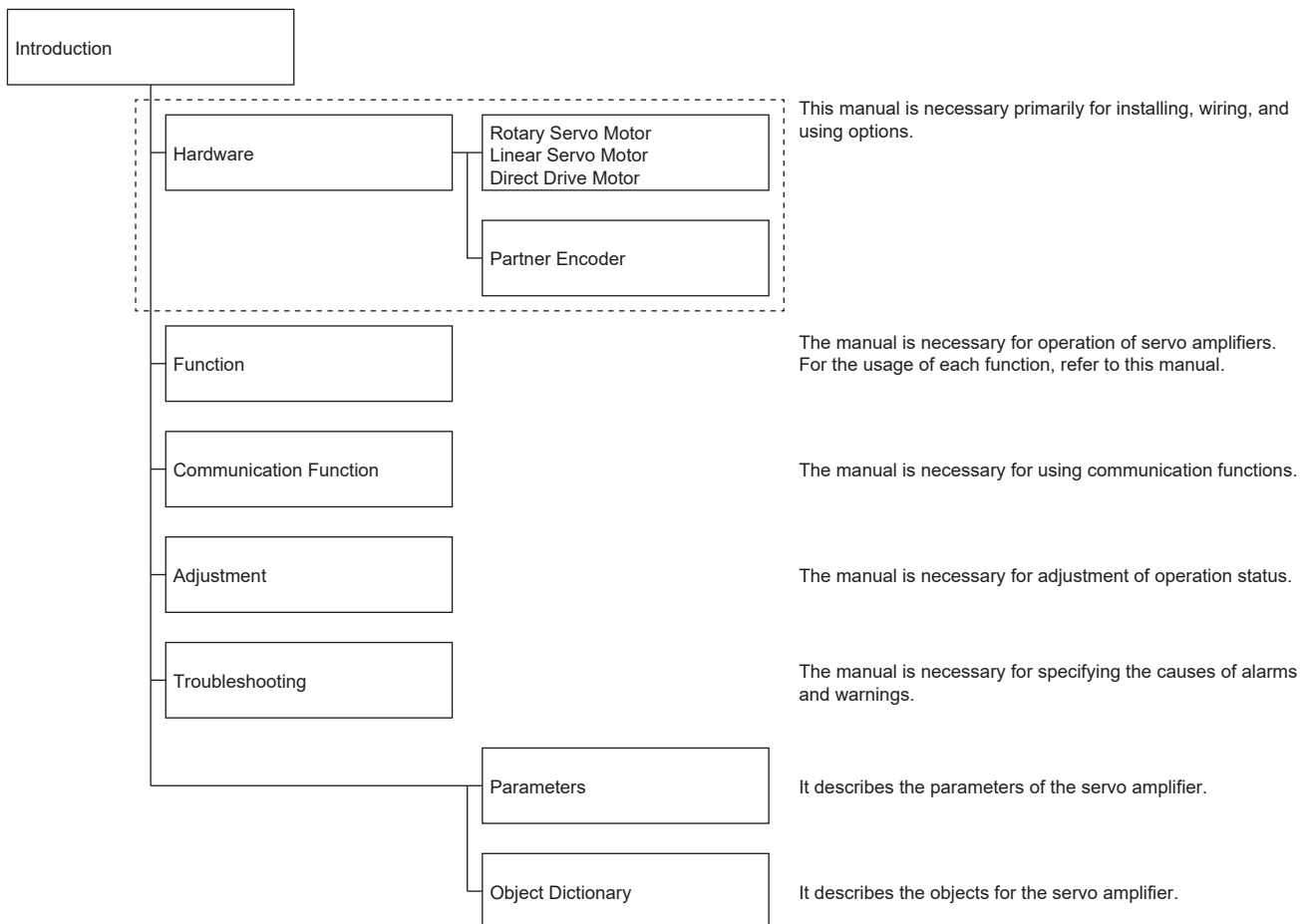
Point

e-Manuals are Mitsubishi Electric FA electronic book manuals that can be browsed with a dedicated tool.

e-Manuals enable the following:

- Searching for desired information in multiple manuals at the same time (manual cross searching)
- Jumping from a link in a manual to another manual for reference
- Browsing for hardware specifications by scrolling over the components shown in product illustrations
- Bookmarking frequently referenced information
- Copying sample programs to engineering tools

If using the servo for the first time, prepare and use the following related manuals to ensure that the servo is used safely. For the related manuals, refer to the User's Manual (Introduction).



When reading this manual to use a drive unit, substitute "drive unit" for "servo amplifier".

U.S. CUSTOMARY UNITS

U.S. customary units are not shown in this manual. Convert the values if necessary according to the following table.

Quantity	SI (metric) unit	U.S. customary unit
Mass	1 [kg]	2.2046 [lb]
Length	1 [mm]	0.03937 [inch]
Torque	1 [N·m]	141.6 [oz·inch]
Moment of inertia	1 [(× 10 ⁻⁴ kg·m ²)]	5.4675 [oz·inch ²]
Load (thrust load/axial load)	1 [N]	0.2248 [lbf]
Temperature	N [°C] × 9/5 + 32	N [°F]

CONTENTS

SAFETY INSTRUCTIONS	1
ABOUT THE MANUAL	3
U.S. CUSTOMARY UNITS	3
CHAPTER 1 FUNCTIONS AND CONFIGURATION	6
1.1 Outline	6
CiA 402 drive profile	6
Control mode	6
1.2 Function list	8
1.3 Engineering tool	8
Engineering tool list	8
CHAPTER 2 EtherCAT COMMUNICATION	9
2.1 Communication specifications	9
2.2 EtherCAT State Machine (ESM)	10
Communication state	10
EtherCAT state	11
CHAPTER 3 SUMMARY OF OBJECT DICTIONARY (OD)	12
3.1 Section definition of object dictionary	12
3.2 Saving object dictionary data	13
Store parameters	13
Restore default parameters	13
CHAPTER 4 PDO (Process Data Object) COMMUNICATION	14
4.1 PDO communication cycle	14
4.2 PDO setting-related objects	15
4.3 PDO default mapping	16
RxPDO default mapping	16
TxPDO default mapping	17
4.4 Variable PDO mapping	18
4.5 Objects that require mapping	19
RxPDO	19
TxPDO	19
CHAPTER 5 SDO (Service Data Object) COMMUNICATION	20
5.1 SDO communication-related services	20
5.2 SDO Abort Code	21
CHAPTER 6 SYNCHRONIZATION	22
6.1 Availability of synchronous mode in control mode	22
6.2 Synchronous mode (DC mode)	22
6.3 Asynchronous mode (Free-run mode)	23
CHAPTER 7 CiA 402 DRIVE PROFILE	24
7.1 PDS state transitions	24
7.2 Controlword/Control DI	27

Bit definition of Controlword	27
Bit definition of Control DI	28
7.3 Statusword/Status DO	33
Bit definition of Statusword	33
Bit definition of Status DO	34
7.4 Control mode	40
Selecting control mode (Modes of operation)	41
Control switching	42
CHAPTER 8 STARTUP	44
<hr/>	
8.1 Absolute position detection system configuration	44
Summary	44
Precautions and restrictions	44
Startup procedure	45
8.2 Connecting Ethernet cables	46
8.3 Example set-up procedure	47
Controller settings	47
Establishing the communication	49
Operating the servo motor	49
Disconnecting the network	49
CHAPTER 9 MANUFACTURER-SPECIFIC FUNCTION	50
<hr/>	
9.1 Torque limit selection	50
Torque limit	50
REVISIONS	52
WARRANTY	53
TRADEMARKS	54

1 FUNCTIONS AND CONFIGURATION

1.1 Outline

EtherCAT is an abbreviation of Ethernet for Control Automation Technology. It is open network communication between a master station and slave stations via real-time Ethernet developed by Beckhoff Automation. ETG (EtherCAT Technology Group) manages EtherCAT.

The servo amplifiers operate as slave stations which support the CAN application protocol over EtherCAT (CoE). The device type corresponds to the power drive system and supports the CiA 402 drive profile.

CiA 402 drive profile

The servo amplifiers operate as slave stations which support the CAN application protocol over EtherCAT (CoE). The device type corresponds to a power drive system, and supports the CiA 402 drive profile.

Control mode

The servo amplifier supports the following control modes.

Control mode	Symbol	Description
Cyclic synchronous position mode	csp	This is a control mode to drive servo motors by receiving a position command cyclically via either synchronous or asynchronous communication with a controller. Use an absolute position address for the command.
Cyclic synchronous velocity mode	csv	This is a control mode to drive servo motors by receiving a speed command cyclically via either synchronous or asynchronous communication with a controller.
Cyclic synchronous torque mode	cst	This is a control mode to drive servo motors by receiving a torque command cyclically via either synchronous or asynchronous communication with a controller.
Profile position mode	pp	This is a positioning mode to drive servo motors by receiving an end position command via either synchronous or asynchronous communication with a controller. Use an absolute position address or a relative position address for the command.
Profile velocity mode	pv	This is a control mode to drive servo motors by receiving a target speed command via either synchronous or asynchronous communication with a controller.
Profile torque mode	tq	This is a control mode to drive servo motors by receiving a target torque command via either synchronous or asynchronous communication with a controller.
Point table mode	pt	This is a control mode to drive servo motors according to commands such as travel distance and speed which are stored in the point table number specified via either synchronous or asynchronous communication with a controller. This control mode is not in CiA 402 standard (Mitsubishi Electric original). Available on servo amplifiers with firmware version B8 or later.
JOG operation mode	jg	This is a control mode where the servo motor speed is set to drive the servo motor manually via either synchronous or asynchronous communication with a controller. This control mode is not in CiA 402 standard (Mitsubishi Electric original). Available on servo amplifiers with firmware version B8 or later.
Homing mode	hm	This is a control mode to perform homing with the method specified by the controller.

Satisfied standards

The servo amplifiers comply with the standards shown below. For the descriptions which are not in this manual, refer to the following standards.

Standards	Version
ETG.1000.2 EtherCAT Specification - Part2 Physical Layer service definition and protocol specification	V1.0.4
ETG.1000.3 EtherCAT Specification - Part3 Data Link Layer service definition	V1.0.4
ETG.1000.4 EtherCAT Specification - Part4 Data Link Layer protocol specification	V1.0.4
ETG.1000.5 EtherCAT Specification - Part5 Application Layer service definition	V1.0.4
ETG.1000.6 EtherCAT Specification - Part6 Application Layer protocol specification	V1.0.4
ETG.1020 EtherCAT Protocol Enhancements	V1.2.0
ETG.1300 EtherCAT Indicator and Labeling Specification	V1.1.1
ETG.2000 EtherCAT Slave Information (ESI) Specification	V1.0.10
ETG.6010 Implementation Directive for CiA 402 Drive Profile	V1.1.0
IEC 61800-7-201 Adjustable speed electrical power drive systems – Part 7-201: Generic interface and use of profiles for power drive systems – Profile type 1 specification	Edition 2.0
Adjustable speed electrical power drive systems – Part 7-301: Generic interface and use of profiles for power drive systems – Mapping of profile type 1 to network technologies	Edition 2.0

1.2 Function list

This list explains the EtherCAT related functions for devices and the whole system.

Category	Subcategory	Function	Description	Details Detailed explanation
Network	Open network	EtherCAT protocol	This protocol supports EtherCAT.	☞ Page 9 Communication specifications
		EtherCAT communication setting	This setting configures the control mode and network communication.	☞ Page 44 STARTUP
	Remote maintenance	File access over EtherCAT (FoE)	This protocol enables a firmware upload to devices via a network. For details, contact your local sales office.	—
	Profile	ESI	This is a setting file on which the information specific to each slave station (vendor information, product information, profiles, objects, and other information) is written. Store the ESI file on a controller to use it.	—
Application function	Synchronization	Distributed clock (DC)	This function enables DC mode.	☞ Page 22 SYNCHRONIZATION

1.3 Engineering tool

The following explains the main purposes of the engineering tools used in communication. For specific usages, refer to the manuals of the engineering tool and controller.

Engineering tool list

This list shows the applicable engineering tool.

Engineering tool	Detailed explanation
MR Configurator2	This is a software that has the following functions: servo amplifier adjustment, monitor display, diagnosis, reading/writing of servo parameters, and test operation. These functions are performed using a personal computer. Settings, such as a stroke limit, absolute position detection system, communication error detection time, are made with this software.

2 EtherCAT COMMUNICATION

2.1 Communication specifications

The communication specifications are shown in the following table.

Item	Description	Remark	
EtherCAT communication specifications	IEC 61158 Type12 CAN application protocol over EtherCAT (CoE), IEC 61800-7 CiA 402 Drive Profile	—	
Physical layer	100BASE-TX (IEEE802.3)	—	
Communication connector	Two RJ45 ports (IN port and OUT port)	—	
Communication cable	Cable type	—	
	Standard		Category 5e or higher, (double shielded/STP) straight cable
	Connector		One of the following standards must be met. • IEEE802.3 100BASE-TX • ANSI/TIA/EIA-568-B (Category 5e)
Network topology	RJ-45 shielded connector	—	
Communication speed	Line, Tree, Star, or Hybrid of these three topology types	—	
Transmission distance between stations	100 Mbps (Full duplex)	—	
Number of connection nodes	Max. 100 m	—	
SDO (Mailbox) communication	Max. 65535	The number of connection nodes for actual use varies depending on the specifications of the master controller.	
PDO (Process Data) communication *1	Asynchronous communication Sending/Receiving: 1 channel each	Maximum data size in sending/receiving: 1486 bytes per channel	
PDO mapping	Cycle time: Select from 0.125 ms, 0.25 ms, 0.5 ms, 1 ms, 2 ms, 4 ms, or 8 ms. Receive PDO (RxPDO): 1 channel Send PDO (TxPDO): 1 channel	Multi-axis servo amplifiers do not support a communication cycle of 0.125 ms.	
Distributed clock (DC)	The servo amplifiers support variable PDO mapping.	• Maximum sizes of RxPDO and TxPDO ☞ Page 18 Variable PDO mapping • Maximum number of object mappings MR-J5-_G_-N1: 32 MR-J5W2-_G_-N1: 64 MR-J5W3-_G_-N1: 96 MR-J5D1-_G_-N1: 32 MR-J5D2-_G_-N1: 64 MR-J5D3-_G_-N1: 96	
Explicit Device Identification	DC mode or Free-run mode can be selected.	Sync0: Set the same cycle as the PDO communication cycle Sync1: Not used	
LED display	Supported	—	
LED display	RUN, ERROR, LINK/Activity (IN, OUT)	—	

*1 There are restrictions on the communication cycle depending on the function used. For details, refer to "Restrictions on the MR-J5_-_G_" in the following manuals.

☞ MR-J5-G-N1/MR-J5W-G-N1 User's Manual (Introduction)

☞ MR-J5D-G-N1 User's Manual (Introduction)

2.2 EtherCAT State Machine (ESM)

The communication states of the MR-J5-G-N1/MR-J5W-G-N1 servo amplifier are classified and managed by EtherCAT State Machine (ESM) which is defined in the EtherCAT standard.

For multi-axis servo amplifiers, the communication state transitions in the whole station (common to all the axes).

Communication state

Communication states are classified as shown in the table below. There are two types of communication: PDO (Process Data Object) communication in which command data and feedback data are transmitted and received cyclically, and SDO (Service Data Object) communication in which object data is transmitted and received asynchronously.

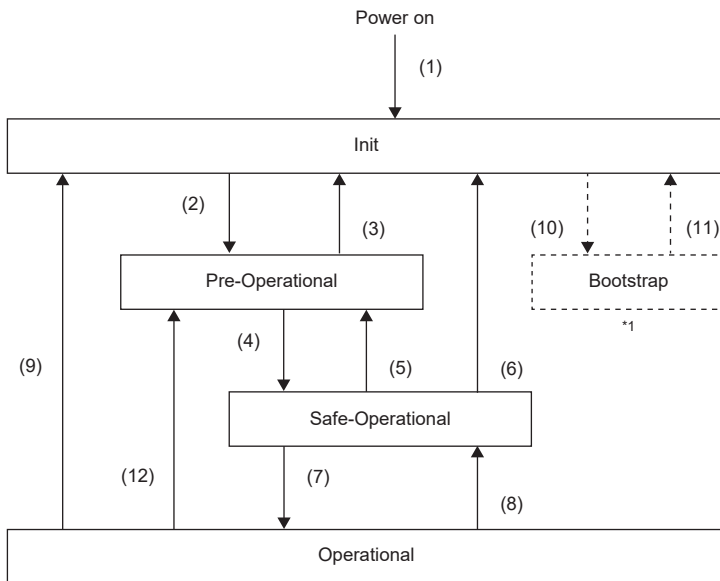
☞ Page 14 PDO (Process Data Object) COMMUNICATION

☞ Page 20 SDO (Service Data Object) COMMUNICATION

ESM state	Description
Init	The ESM state after turning on the power is the Init state. No SDO communication or PDO communication is possible. The master station accesses the DL-Information registers and initializes the communication.
Pre-Operational	SDO communication is possible. PDO communication is not possible. Initial network settings are configured and the initial transfer of parameters are made in this state.
Safe-Operational	SDO communication is possible. PDO communication is also possible, although all the operations (commands) such as driving servo motors are disabled. When the DC mode is selected, synchronization is established in this state.
Operational	Both the SDO communication and the PDO communication are possible. Commanding via PDO communication is enabled, and servo motors can be driven.
Bootstrap	Mailbox communication via the FoE protocol is possible. This is a state in which the firmware is updated via EtherCAT. (For manufacturer setting)

EtherCAT state

The servo amplifier can be operated once the state transitions from the Init state through the Pre-Operational and Safe-Operational state to the Operational state. When the Operational state transitions to other states, initialization of the servo amplifier is executed to clear internal statuses.



*1 This state is for manufacturer's settings.

Transition No.	Description
(1)	Power-on
(2)	SDO communication configuration <ul style="list-style-type: none"> • The master station sets Sync Manager channels for SDO communication and DL Address registers of the slave station. • The master station requests the slave station to transition to the Pre-Operational state. • The state transitions to the Pre-Operational state.
(4)	PDO communication configuration <ul style="list-style-type: none"> • The master station sets configuration parameters (such as PDO mapping) using SDO communication. • The master station sets Sync Manager channels for PDO communication and FMMU channels of the slave station. FMMU (Fieldbus Memory Management Unit) is a mechanism to manage the relationship between the global address space and the local address space in EtherCAT communication. The global address space is used for PDO communication, and the local address space in each slave station stores object data. • The master station requests the slave station to transition to the Safe-Operational state. • The state transitions to the Safe-Operational state.
(7)	Synchronization <ul style="list-style-type: none"> • The master station and the slave station synchronize with each other by using Distributed Clocks. • The master station starts to output a valid command value. • The master station requests the slave station to transition to the Operational state. • The state transitions to the Operational state.
(5), (12)	When the master station requests the slave station to transition to the Pre-Operational state, the state transitions to the Pre-Operational state.
(8)	When the master station requests the slave station to transition to the Safe-Operational state, the state transitions to the Safe-Operational state.
(3), (6), (9), (11)	In the following case, the state transitions to the init state. When the master station requests the slave station to transition to the Init state.
(10)	When the master station requests the slave station to transition to the Bootstrap state, the state transitions to the Bootstrap state.

3 SUMMARY OF OBJECT DICTIONARY (OD)

Point





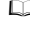
For details of the object dictionary, refer to the following manual.

 MR-J5-G-N1/MR-J5W-G-N1 User's Manual (Object Dictionary)

The data that a CAN application protocol over EtherCAT (CoE) device holds, such as control parameters, command values, and feedback values, is handled as an object composed of an Index value, object name, object type, R/W attribute, and other elements. The data is exchanged between the master and slave devices. The aggregate of these objects is called an object dictionary (OD).

3.1 Section definition of object dictionary

With the CoE protocol (CAN application protocol over EtherCAT), objects of an object dictionary are categorized by Index depending on the descriptions as shown in the following table. Refer to the Reference column for the details of each object. A multi-axis servo amplifier uses one ESI file for objects of all axes. Therefore, from the second axis onward, the object addresses (Index) differ from those of the first axis. Indexes 1000h to 1FFFh are used for common objects for all axes, and Indexes 2000h onward are used for objects for individual axes. An individual axis can be specified by adding offsets to objects addresses (Index).

Index	Description	Reference
1000h to 1FFFh	Communication profile	 MR-J5-G-N1/MR-J5W-G-N1 User's Manual (Object Dictionary)
2000h to 5FFFh	Objects group defined by Mitsubishi Electric	
6000h to 9FFFh	CiA 402 drive profile	
Index	Description	Reference
0000h to 0FFFh	Data type area	—
1000h to 1FFFh	CoE communication area	 Page 14 PDO (Process Data Object) COMMUNICATION  Page 20 SDO (Service Data Object) COMMUNICATION  MR-J5-G-N1/MR-J5W-G-N1 User's Manual (Object Dictionary)
2000h to 25FFh	Servo parameter area (manufacturer specific) (A-axis)	 MR-J5-G-N1/MR-J5W-G-N1 User's Manual (Object Dictionary)
2A00h to 2FFFh	Servo control command/monitor area (manufacturer specific) (A-axis)	
3000h to 35FFh	Servo parameter area (manufacturer specific) (B-axis)	
3A00h to 3FFFh	Servo control command/monitor area (manufacturer specific) (B-axis)	
4000h to 45FFh	Servo parameter area (manufacturer specific) (C-axis)	
4A00h to 4FFFh	Servo control command/monitor area (manufacturer specific) (C-axis)	
6000h to 67FFh	CiA 402 drive profile area (A-axis)	
6800h to 6FFFh	CiA 402 drive profile area (B-axis)	
7000h to 77FFh	CiA 402 drive profile area (C-axis)	

3.2 Saving object dictionary data

Some of object dictionary data is stored in a non-volatile memory and some is not. Use [Store Parameters (Obj. 1010h)] for storing the object dictionary data in the non-volatile memory.

For details about objects that can be stored in the non-volatile memory, refer to the following manual.

MR-J5-G-N1/MR-J5W-G-N1 User's Manual (Object Dictionary)

Store parameters

Writing "65766173h" (= reverse order of the ASCII code "save") to [Store parameters (Obj. 1010h: 01h)] enables the setting value of an object to be stored in the non-volatile memory of the servo amplifier.

It can take up to around 25 s for [Save all parameters (Obj. 1010h: 01h)] to write all the parameters. Do not shut off the power supply during writing.

Index	Sub	Object	Name	Data Type	Access	Description
1010h	0	ARRAY	Store parameters	U8	ro	Number of entries
	1		Save all parameters	U32	rw	Saves all parameters.

Reading [Save all parameters (Obj. 1010h: 01h)] will produce the following values. Bit 0 is "0" during saving and "1" when not saving.

Bit	Description
0	0: Object cannot be saved by the command (save in progress) 1: Object can be saved by the command (save not in progress)
1	0: Not automatically saved

Precautions

To shut off the power supply after executing Store parameters, make sure that a save is not in progress (bit 0 is on) before shutting off the power.

Restore default parameters

Objects can be reset to the factory setting.

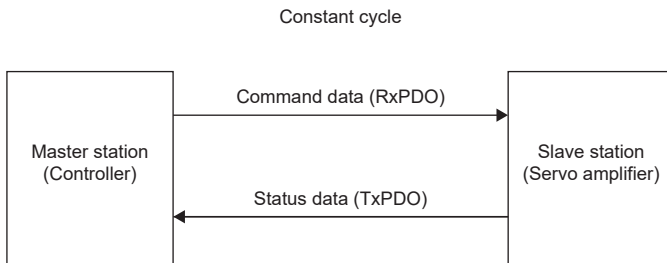
To initialize objects, write "64616F6Ch" (= reverse order of the ASCII code "load") to [Restore all default parameters (Obj. 1011h: 01h)], then cycle the power. Writing a value other than "load" (= 64616F6Ch) triggers an error. Initialization can take up to around 25 s.

Index	Sub	Object	Name	Data Type	Access	Description
1011h	0	ARRAY	Restore default parameters	U8	ro	Number of entries
	1		Restore all default parameters	U32	rw	All parameter initialization

Reading [Restore all default parameters (Obj. 1011h: 01h)] will display "00000001h" (command valid).

4 PDO (Process Data Object) COMMUNICATION

In PDO (Process Data Object) communication, command data and feedback data can be transmitted and received cyclically between a master station (controller) and a slave station (servo amplifier). PDOs are distinguished into RxPDOs and TxPDOs. An RxPDO is used when the slave station receives command data from the controller, and a TxPDO is used when the slave station transmits status data to the controller.



The variable PDO mapping function enables PDO communication to transmit and receive multiple PDOs in any array at a time.


4.1 PDO communication cycle

RxPDO communication and TxPDO communication are performed at the same cycle on the servo amplifier.

To change the communication cycle time, rewrite [Cycle Time (Obj. 1C32h: 02h)] with SDO download in the Pre-Operational state via a network.

4.2 PDO setting-related objects

Objects related to PDO settings are shown in the following table.

Index	Sub	Object	Name	Data Type	Access	Description
1C32h	0	RECORD	SM output parameter	U8	ro	 MR-J5-G-N1/MR-J5W-G-N1 User's Manual (Object Dictionary)
	1		Synchronization Type	U16	rw	
	2		Cycle time	U32	rw	
	4		Synchronization types supported	U16	ro	
	5		Minimum cycle time	U32	ro	
	6		Calc and copy time	U32	ro	
	9		Delay time	U32	ro	
	12		Cycle time too small	U16	ro	
1C33h	0	RECORD	SM input parameter	U8	ro	
	1		Synchronization type	U16	rw	
	2		Cycle time	U32	rw	
	4		Synchronization types supported	U16	ro	
	5		Minimum cycle time	U32	ro	
	6		Calc and copy time	U32	ro	
	9		Delay time	U32	ro	
	12		Cycle time too small	U16	ro	

4.3 PDO default mapping

Point

The servo amplifier supports the variable PDO mapping function, which can select objects transmitted and received in PDO communication. For changing the PDO mapping, refer to the following.

☞ Page 18 Variable PDO mapping

RxPDO default mapping

With the RxPDO default mapping, a master station (controller) transmits command data to a slave station (servo amplifier) using an RxPDO in the array shown in the following table.

Map No.	Initial mapping settings	Applications expected to be used for initial mapping
1st RxPDO map A-axis: 1600h B-axis: 1610h C-axis: 1620h	Modes of operation (Obj. 6060h) Padding (1 byte) Controlword (Obj. 6040h) Control DI 1 (Obj. 2D01h) Control DI 2 (Obj. 2D02h) Control DI 3 (Obj. 2D03h) Target position (Obj. 607Ah) Target velocity (Obj. 60FFh) Velocity limit value (Obj. 2D20h) Target torque (Obj. 6071h)	Cyclic synchronous position mode (csp) Cyclic synchronous velocity mode (csv) Cyclic synchronous torque mode (cst) Homing mode (hm) This initial mapping is for an application in which the modes above are switched and used. The following function can be used together. • Speed limit function (in cst) Map size: 24 bytes
2nd RxPDO map A-axis: 1601h B-axis: 1611h C-axis: 1621h	Modes of operation (Obj. 6060h) Padding (1 byte) Controlword (Obj. 6040h) Control DI 1 (Obj. 2D01h) Control DI 2 (Obj. 2D02h) Control DI 3 (Obj. 2D03h) Target position (Obj. 607Ah) Target velocity (Obj. 60FFh) Velocity limit value (Obj. 2D20h) Target torque (Obj. 6071h) Profile velocity (Obj. 6081h) Profile acceleration (Obj. 6083h) Profile deceleration (Obj. 6084h) Torque slope (Obj. 6087h)	Profile position mode (pp) Profile velocity mode (pv) Profile torque mode (tq) Homing mode (hm) This initial mapping is for an application in which the modes above are switched and used. The following function can be used together. • Speed limit function (in tq) Map size: 42 bytes
3rd RxPDO map A-axis: 1602h B-axis: 1612h C-axis: 1622h	Modes of operation (Obj. 6060h) Padding (1 byte) Controlword (Obj. 6040h) Control DI 1 (Obj. 2D01h) Control DI 2 (Obj. 2D02h) Control DI 3 (Obj. 2D03h) Target point table (Obj. 2D60h) Profile velocity (Obj. 6081h) Profile acceleration (Obj. 6083h) Profile deceleration (Obj. 6084h)	Point table mode (pt) JOG operation mode (jg) Homing mode (hm) This initial mapping is for an application in which the modes above are switched and used. Map size: 24 bytes
4th RxPDO map A-axis: 1603h B-axis: 1613h C-axis: 1623h	Unassigned	—

TxPDO default mapping

With the TxPDO default mapping, status data is transmitted to a master station (controller) using a TxPDO in the array shown in the following table.

Map No.	Initial mapping settings	Applications expected to be used for initial mapping
1st TxPDO map A-axis: 1A00h B-axis: 1A10h C-axis: 1A20h	Modes of operation display (Obj. 6061h) Padding (1 byte) Statusword (Obj. 6041h) Status DO 1 (Obj. 2D11h) Status DO 2 (Obj. 2D12h) Status DO 3 (Obj. 2D13h) Position actual value (Obj. 6064h) Velocity actual value (Obj. 606Ch) Following error actual value (Obj. 60F4h) Torque actual value (Obj. 6077h)	Cyclic synchronous position mode (csp) Cyclic synchronous velocity mode (csv) Cyclic synchronous torque mode (cst) Homing mode (hm) This initial mapping is for an application in which the modes above are switched and used. This mapping is also for an application in which the following modes are switched and used. <ul style="list-style-type: none"> • Profile position mode (pp) • Profile velocity mode (pv) • Profile torque mode (tq) • Homing mode (hm) Map size: 24 bytes
2nd TxPDO map A-axis: 1A01h B-axis: 1A11h C-axis: 1A21h	Modes of operation (Obj. 6060h) Padding (1 byte) Statusword (Obj. 6041h) Status DO 1 (Obj. 2D11h) Status DO 2 (Obj. 2D12h) Status DO 3 (Obj. 2D13h) Status DO 5 (Obj. 2D15h) Status DO 7 (Obj. 2D17h) Position actual value (Obj. 6064h) Velocity actual value (Obj. 606Ch) Following error actual value (Obj. 60F4h) Torque actual value (Obj. 6077h) M code actual value (Obj. 2D6Ah) Padding (1 byte) Point demand value (Obj. 2D68h) Point actual value (Obj. 2D69h)	Point table mode (pt) JOG operation mode (jg) Homing mode (hm) This initial mapping is for an application in which the modes above are switched and used. Map size: 34 bytes
3rd TxPDO map A-axis: 1A02h B-axis: 1A12h C-axis: 1A22h	Unassigned	—
4th TxPDO map A-axis: 1A03h B-axis: 1A13h C-axis: 1A23h	Unassigned	—

4.4 Variable PDO mapping



PDO mappings can be changed in the Pre-Operational state.

The servo amplifier supports the variable PDO mapping function, which can arrange desired objects in any array for the data transmitted and received with RxPDO and TxPDO.

Variable PDO mapping specifications are shown in the following table.

Communication	Maximum number of objects	Maximum size [byte]	Number of mapping settings
RxPDO	1-axis servo amplifier: 32	Refer to the following.	4 (1600h to 1603h/1610h to 1613h/1620h to 1623h)
TxPDO	2-axis servo amplifier: 64 3-axis servo amplifier: 96		4 (1A00h to 1A03h/1A10h to 1A13h/1A20h to 1A23h)

The total bytes of objects that can be assigned to PDOs are limited depending on the communication cycle. The table below shows the relations between the communication cycles and PDO sizes.

Communication cycle [ms]	1-axis servo amplifier		2-axis servo amplifier		3-axis servo amplifier	
	RxPDO [byte]	TxPDO [byte]	RxPDO [byte]	TxPDO [byte]	RxPDO [byte]	TxPDO [byte]
0.125	64	64	—	—	—	—
0.25	64	64	108	120	120	120
0.5 to 8	64	64	108	120	144	162

PDO mapping objects are shown in the following table.

Index	Sub	Object	Name	Data Type	Access	Description
1600h	0	RECORD	1st Receive PDO Mapping	U8	rw	MR-J5-G-N1/MR-J5W-G-N1 User's Manual (Object Dictionary)
	1 to 32		Mapped Object 001 to Mapped Object 032	U32	rw	
1601h	0	RECORD	2nd Receive PDO Mapping	U8	rw	
	1 to 32		Mapped Object 001 to Mapped Object 032	U32	rw	
1602h	0	RECORD	3rd Receive PDO Mapping	U8	rw	
	1 to 32		Mapped Object 001 to Mapped Object 032	U32	rw	
1603h	0	RECORD	4th Receive PDO Mapping	U8	rw	
	1 to 32		Mapped Object 001 to Mapped Object 032	U32	rw	
1A00h	0	RECORD	1st Transmit PDO Mapping	U8	rw	
	1 to 32		Mapped Object 001 to Mapped Object 032	U32	rw	
1A01h	0	RECORD	2nd Transmit PDO Mapping	U8	rw	
	1 to 32		Mapped Object 001 to Mapped Object 032	U32	rw	
1A02h	0	RECORD	3rd Transmit PDO Mapping	U8	rw	
	1 to 32		Mapped Object 001 to Mapped Object 032	U32	rw	
1A03h	0	RECORD	4th Transmit PDO Mapping	U8	rw	
	1 to 32		Mapped Object 001 to Mapped Object 032	U32	rw	
1C12h	0	ARRAY	Sync Manager 2 PDO Assignment	U8	rw	
	1		PDO Mapping object index of assigned RxPDO	U16	rw	
	2					
	3					
1C13h	0	ARRAY	Sync Manager 3 PDO Assignment	U8	rw	
	1		PDO Mapping object index of assigned TxPDO	U16	rw	
	2					
	3					

4.5 Objects that require mapping

Objects required for each mode are shown in the following table.

RxPDO

⊙: PDO mapping required ○: PDO mapping recommended —: PDO mapping not required

Object name (Index)	Mode								
	csp	csv	cst	pp	pv	tq	pt ^{*1}	jg ^{*1}	hm
Controlword (6040h)	⊙	⊙	⊙	⊙	⊙	⊙	⊙	⊙	⊙
Control DI 1 (2D01h) Gain switching	○	○	—	○	○	—	○	○	—
Control DI 2 (2D02h) Proportional control	○	—	—	○	—	—	○	○	○
Control DI 3 (2D03h)	○	○	○	○	○	○	○	○	○
Target position (607Ah)	⊙	—	—	⊙	—	—	—	—	—
Target velocity (60FFh)	—	⊙	—	—	⊙	—	—	—	—
Target torque (6071h)	—	—	⊙	—	—	⊙	—	—	—
Profile velocity (6081h)	—	—	—	○	—	—	—	○	—
Profile acceleration (6083h)	—	—	—	○	○	—	—	○	—
Profile deceleration (6084h)	—	—	—	○	○	—	—	○	—
Torque slope (6087h)	—	—	—	—	—	○	—	—	—
Velocity limit value (2D20h)	—	—	○	—	—	○	—	—	—
Target point table (2D60h) ^{*1}	—	—	—	—	—	—	⊙	—	—

*1 Available on servo amplifiers with firmware version B8 or later.

TxPDO

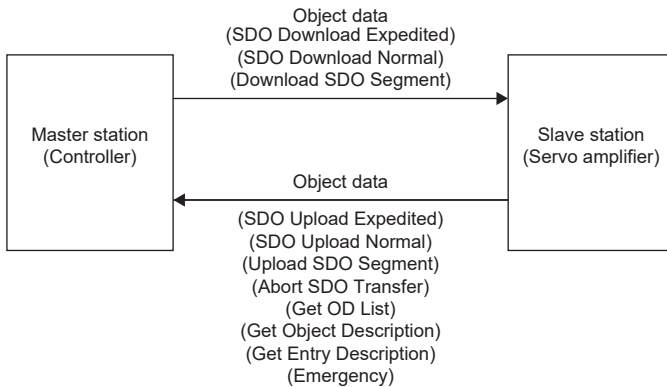
⊙: PDO mapping required ○: PDO mapping recommended —: PDO mapping not required

Object name (Index)	Mode								
	csp	csv	cst	pp	pv	tq	pt ^{*1}	jg ^{*1}	hm
Statusword (6041h)	⊙	⊙	⊙	⊙	⊙	⊙	⊙	⊙	⊙
Status DO 1 (2D11h)	○	○	○	○	○	○	○	○	○
Status DO 2 (2D12h)	○	○	○	○	○	○	○	○	○
Status DO 3 (2D13h)	○	○	○	○	○	○	○	○	○
Status DO 5 (2D15h)	—	—	—	—	—	—	○	○	—
Status DO 7 (2D17h)	—	—	—	—	—	—	○	○	—
Position actual value (6064h)	○	○	○	○	○	○	○	○	○
Following error actual value (60F4h)	○	—	—	○	—	—	○	○	—
Velocity actual value (606Ch)	○	○	○	○	○	○	○	○	○
Torque actual value (6077h)	○	○	○	○	○	○	○	○	○
Point actual value (2D69h) ^{*1}	—	—	—	—	—	—	○	○	—
M code actual value (2D6Ah) ^{*1}	—	—	—	—	—	—	○	○	—
Point demand value (2D68h) ^{*1}	—	—	—	—	—	—	○	○	—

*1 Available on servo amplifiers with firmware version B8 or later.

5 SDO (Service Data Object) COMMUNICATION

In SDO (Service Data Object) communication, object data can be transmitted and received asynchronously between a master station (controller) and a slave station (servo amplifier).



5.1 SDO communication-related services

The servo amplifier supports the following services related with SDO communication.

Services	Description
SDO Download Expedited	This service writes data of up to 4 bytes to the slave station.
SDO Download Normal	This service writes data of the specified bytes to the slave station.
Download SDO Segment	This service writes additional data when the object size is larger than the specified byte size.
SDO Upload Expedited	This service reads data of up to 4 bytes from the slave station.
SDO Upload Normal	This service reads data of the specified bytes from the slave station.
Upload SDO Segment	This service reads additional data when the object size is larger than the specified number of octets.
Abort SDO Transfer	This service notifies the SDO Abort Code when an error occurs in either of the services.
Get OD List	This service reads a list of available object indexes.
Get Object Description	This service reads the detail of indexes.
Get Entry Description	This service reads the detail of Sub Indexes.
Emergency	This service notifies an alarm occurrence.

5.2 SDO Abort Code

When an error occurs in SDO communication, the Abort SDO Transfer service returns the following error messages.

SDO Abort Code	Meaning
0504 0005h	Out of memory.
0601 0001h	Attempt to read to a write only object
0601 0002h	Attempt to write to a read only object
0601 0006h	Object mapped to RxPDO, SDO download blocked.
0602 0000h	The object does not exist in the object dictionary
0604 0043h	General parameter incompatibility reason.
0607 0012h	Data type does not match, length of service parameter too high.
0607 0013h	Data type does not match, length of service parameter too short.
0609 0011h	Sub Index does not exist
0609 0030h	Value range of parameter exceeded
0609 0031h	Value of parameter written too high
0609 0032h	Value of parameter written too low
0800 0000h	Generic error.
0800 0021h	Data cannot be transferred or stored to the application because of local control
0800 0022h	Data cannot be transferred or stored to the application because of the present device state.

6 SYNCHRONIZATION

6.1 Availability of synchronous mode in control mode

Availability of synchronous mode (DC mode) and asynchronous mode (Free-run mode) in each mode is shown in the following table.

Control mode	Synchronous mode	Asynchronous mode
Cyclic synchronous position mode (csp)	○	○ *1
Cyclic synchronous velocity mode (csv)	○	○ *1
Cyclic synchronous torque mode (cst)	○	○ *1
Profile position mode (pp)	○	○
Profile velocity mode (pv) *2	○	○
Profile torque mode (tq) *2	○	○
Point table mode (pt) *3	○	○
Jog mode (jg) *3	○	○
Homing mode (hm)	○	○

*1 For servo amplifiers with firmware versions earlier than B6, if a servo motor is driven with this combination, [AL. 09E.9 Control mode setting warning] will occur.

*2 This control mode is not available for multi-axis servo amplifiers.

*3 Available on servo amplifiers with firmware version B8 or later.

6.2 Synchronous mode (DC mode)

In the synchronous mode, the synchronous jitter needs to be kept less than 2 μ s. If the synchronous jitter is 2 μ s or more, an error may be detected and an alarm may occur.

• Synchronous mode setting

—	Sync0	Sync1
Cycle time (Obj. 1C32h: 02h) *1	0.125 ms (when the PDO communication cycle is set to 0.125 ms) 0.25 ms (when the PDO communication cycle is set to 0.25 ms) 0.5 ms (when the PDO communication cycle is set to 0.5 ms) 1 ms (when the PDO communication cycle is set to 1 ms) 2 ms (when the PDO communication cycle is set to 2 ms) 4 ms (when the PDO communication cycle is set to 4 ms) 8 ms (when the PDO communication cycle is set to 8 ms)	Unused

*1 There are restrictions on the communication cycle depending on the function used. For details, refer to "Restrictions on the MR-J5 - _G_" in the following manuals.

📖 MR-J5-G-N1/MR-J5W-G-N1 User's Manual (Introduction)

📖 MR-J5D-G-N1 User's Manual (Introduction)

6.3 Asynchronous mode (Free-run mode)

When using the cyclic synchronous position mode, cyclic synchronous velocity mode, or cyclic synchronous torque mode in the asynchronous mode (Free-run mode), set them as shown in the table in this section. Enter a command value for each communication cycle set in [Cycle Time (Obj. 1C32h: 02h)]. If the command values are not entered for the communication cycles, the previously entered commands are maintained.

Setting this object is not required when using the profile position mode, profile velocity mode, or profile torque mode.

Operation can be performed in any communication cycle.

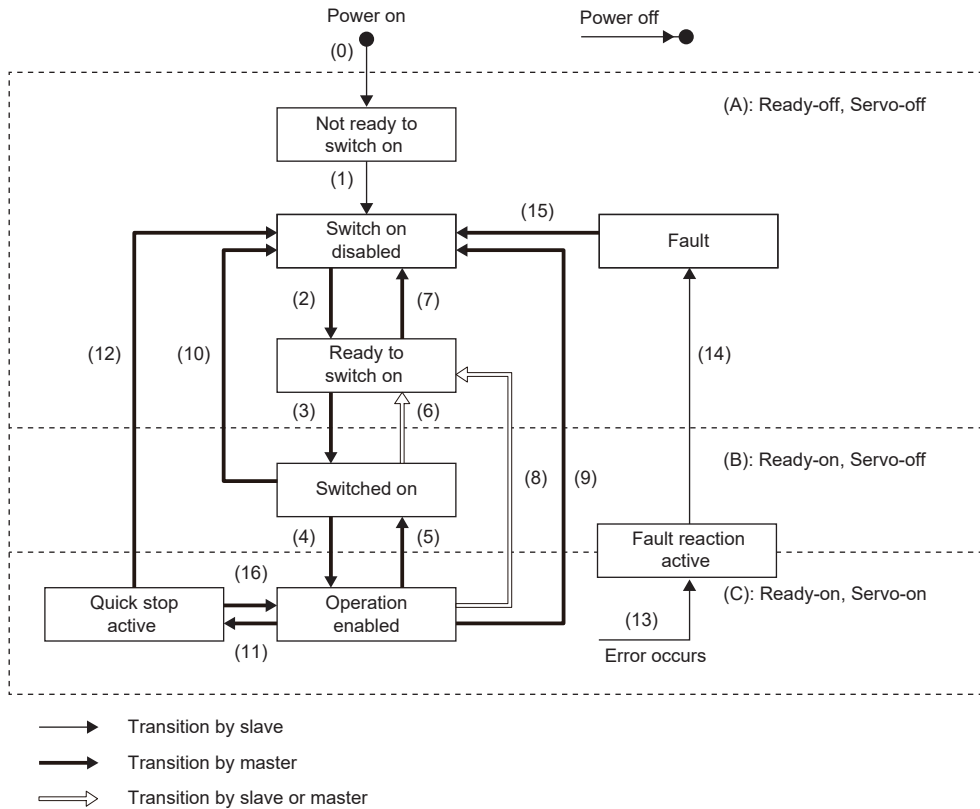
	Local Cycle time
[Cycle Time (Obj. 1C32h: 02h)] *1	0.125 ms (when the PDO communication cycle is set to 0.125 ms) 0.25 ms (when the PDO communication cycle is set to 0.25 ms) 0.5 ms (when the PDO communication cycle is set to 0.5 ms) 1 ms (when the PDO communication cycle is set to 1 ms) 2 ms (when the PDO communication cycle is set to 2 ms) 4 ms (when the PDO communication cycle is set to 4 ms) 8 ms (when the PDO communication cycle is set to 8 ms)

*1 When no value is set in Cycle time, the communication cycle is 0.25 ms (initial value). The initial value can be changed with [Pr. PN07 Communication cycle setting]. [Pr. PN07 Communication cycle setting] can be used on servo amplifiers with firmware version B6 or later.

7 CiA 402 DRIVE PROFILE

7.1 PDS state transitions

The internal state of the servo amplifier is managed by the PDS state defined in the CiA 402 drive profile specification. After the PDO communication is established (after the AL state has reached "Operational"), the status is controlled by the master station transmitting commands (by setting Controlword) in accordance with the following table. Once the state transitions from "Not ready to switch on", which is right after turning on the power supply, to "Operation enabled", the servo motor becomes ready to operate.



Transition No.	Event	Description
(0)	Control circuit power supply is turned on	Initialization
(1)	Transitions automatically when the control circuit power supply is turned on	Communication setting
(2)	Transitions with the "Shutdown" command from the master station	—
(3)	Transitions with the "Switch On" command from the master station	The dynamic brake is released.
(4)	Transitions with the "Enable Operation" command from the master station	The operation becomes ready after servo-on.
(5)	<ul style="list-style-type: none"> • Transitions with the "Disable Operation" command from the master station • Transitions when RD (Ready) is turned off 	The operation is disabled after servo-off.
(6)	Transitions with the "Shutdown" command from the master station	The dynamic brake operates.
(7)	Transitions with the "Disable Voltage" command or "Quick Stop" command from the master station	—
(8)	<ul style="list-style-type: none"> • Transitions with the "Shutdown" command from the master station • Transitions when the main circuit power supply is turned off • Transitions after becoming servo-off (see the transition No. (5) if RD is turned off at the same time) 	The operation is disabled after servo-off and dynamic braking.
(9)	Transitions with the "Disable Voltage" command from the master station	The operation is disabled after servo-off and dynamic braking.
(10)	Transitions with the "Disable Voltage" command or "Quick Stop" command from the master station	The dynamic brake operates.
(11)	(A) Transitions with the "Quick Stop" command from the master station (B) Transitions when the forced stop signal is turned off *1	Quick Stop starts.
(12)	<ul style="list-style-type: none"> • Transitions automatically after completion of "Quick Stop" (When the value of "Quick Stop" option code is 1, 2, 3, or 4) • Transitions with the "Disable Voltage" command from the master station 	The operation is disabled after servo-off and dynamic braking.
(13)	Alarm occurrence	The processing at the alarm occurrence is executed.
(14)	Automatic transition	After the completion of the processing for the alarm occurrence, the operation is disabled by servo-off and dynamic braking.
(15)	Transitions with the "Fault Reset" command from the master station	An alarm reset is performed. Resettable alarms are reset.
(16) (Not supported)	Transitions with the "Enable Operation" command from the master station (When the Quick Stop option code is 5, 6, 7, or 8)	The operation becomes ready.

*1 This event occurs when "1" (Quick stop active) is selected in [Pr. PF29.1 State selection with forced stop in progress].

The commands issued to the servo amplifier are shown in the table below. Turn on the bits relative to the command.

0: Off 1: On —: Either on/off can be used

Command	Bit setting of Controlword command					Transition No.
	Bit 7 Fault Reset	Bit 3 Enable Operation	Bit 2 Quick Stop	Bit 1 Enable Voltage	Bit 0 Switch On	
Shutdown	0	—	1	1	0	(2)/(6)/(8)
Switch On	0	0	1	1	1	(3)
Disable Voltage	0	—	—	0	—	(7)/(9)/(10)/(12)
Quick Stop	0	—	0	1	—	(7)/(10)/(11)
Disable Operation	0	0	1	1	1	(5)
Enable Operation	0	1	1	1	1	(4)/(16)
Fault Reset	0 → 1 *1	—	—	—	—	(15)

*1 In order to avoid missing the command at the time of a communication error, maintain the state of Bit 7 = 1 on the Fault Reset command for at least 10 ms when the communication cycle is 4 ms or less, or at least 20 ms when the communication cycle is 8 ms or less. In order to transition from the "Switch on disabled" state to the "Operation enabled" state, give the commands "Shutdown", "Switch On", and "Enable Operation" sequentially. If using an MR-J5 servo amplifier, however, it is possible to transition directly from the current state to the target state with one command.



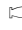

Current state	Command	State after transition
Switch on disabled	Switch On	Switched on
Switch on disabled	Enable Operation	Operation enabled
Ready to switch on	Enable Operation	Operation enabled

7.2 Controlword/Control DI

The PDS states can be switched and control instructions for various driving-related functions can be given by rewriting the Controlword and Control DI x objects from the master station. [Obj. 6040h] is used for the control commands defined by CiA 402, and [Obj. 2D01h] and other objects are used for other control commands defined by Mitsubishi Electric.

Index	Sub	Object	Name	Data Type	Access	Description
6040h	—	VAR	Controlword	U16	rw	—
2D01h	—	VAR	Control DI 1	U16	rw	Object defined by Mitsubishi Electric
2D02h	—	VAR	Control DI 2	U16	rw	Object defined by Mitsubishi Electric
:	:	:	:	:	:	:



Bit definition of Controlword

Bit	Symbol	Description
0	SO	Switch On
1	EV	Enable Voltage
2	QS	Quick Stop
3	EO	Enable Operation
4	OMS	The contents differ depending on the setting of [Modes of operation (Obj. 6060h)]. Refer to "Control mode [G]" in the following manual.  MR-J5 User's Manual (Function)
5		
6		
7	FR	Fault Reset
8	HALT	0: Operation ready 1: Temporary stop
9	OMS	The contents differ depending on the setting of [Modes of operation]. Refer to "Control mode [G]" in the following manual.  MR-J5 User's Manual (Function)
10	—	The value at reading is undefined. Set "0" when writing.
11	CPTL	Positive Torque Limit switching  Page 50 Torque limit selection
12	CNTL	Negative Torque Limit switching  Page 50 Torque limit selection
13	—	The value at reading is undefined. Set "0" when writing.
14		
15		



Bit definition of Control DI

With the communication function, reading the following objects enables reading of the on/off state of the input device. In addition, the input device can be set to on/off by writing to the following objects.

- Control DI 1

Bit	Symbol	Description	Reference
0	—	The value at reading is undefined. Set "0" when writing.	—
1	—		—
2	—		—
3	—		—
4	C_CDP	Gain switching	Refer to "Signal (device) explanations" in the following manual.  MR-J5 User's Manual (Hardware)  MR-J5D User's Manual (Hardware)
5	C_CLD	Fully closed loop control switching	
6	—	The value at reading is undefined. Set "0" when writing.	—
7	—		—
8	—		—
9	—		—
10	—		—
11	—		—
12	—		—
13	—		—
14	—		—
15	—		—

- Control DI 2

Bit	Symbol	Description	Reference
0	—	The value at reading is undefined. Set "0" when writing.	—
1	—		—
2	—		—
3	—		—
4	—		—
5	—		—
6	—		—
7	—		—
8	C_PC	Proportional control	Refer to "Signal (device) explanations" in the following manual.  MR-J5 User's Manual (Hardware)  MR-J5D User's Manual (Hardware)
9	—	The value at reading is undefined. Set "0" when writing.	
10	—		—
11	—		—
12	—		—
13	—		—
14	—		—
15	C_ORST	Operation alarm reset	—

• Control DI 3

Bit	Symbol	Description	Reference
0	—	The value at reading is undefined. Set "0" when writing.	—
1	—		—
2	—		—
3	—		—
4	—		—
5	—		—
6	—		—
7	—		—
8	C_ABS2	Homing completion (for scale measurement) The state "absolute position erased" of a scale measurement encoder can be canceled by turning on C_ABS2 with the scale measurement function. At this time, S_ABSV2 will turn off.	—
9	—	The value at reading is undefined. Set "0" when writing.	—
10	—		—
11	—		—
12	—		—
13	—		—
14	—		—
15	—		—

• Control DI 4

Bit	Symbol	Description	Reference
0	—	The value at reading is undefined. Set "0" when writing.	—
1	—		—
2	—		—
3	—		—
4	—		—
5	—		—
6	—		—
7	—		—
8	—		—
9	—		—
10	—		—
11	—		—
12	—		—
13	—		—
14	—		—
15	—		—

• Control DI 5

Bit	Symbol	Description	Reference
0	—	The value at reading is undefined. Set "0" when writing.	—
1	—		—
2	—		—
3	—		—
4	C_CDP2	Gain switching 2	Refer to "Signal (device) explanations" in the following manual. MR-J5 User's Manual (Hardware) MR-J5D User's Manual (Hardware)
5	—	The value at reading is undefined. Set "0" when writing.	—
6	—		—
7	—		—
8	—		—
9	—		—
10	—		—
11	—		—
12	—		—
13	—		—
14	—		—
15	—		—

• Control DI 6

Bit	Symbol	Description	Reference
0	—	The value at reading is undefined. Set "0" when writing.	—
1	—		—
2	—		—
3	—		—
4	—		—
5	—		—
6	—		—
7	—		—
8	—		—
9	—		—
10	—		—
11	—		—
12	—		—
13	—		—
14	—		—
15	—		—

• Control DI 7

Bit	Symbol	Description	Reference
0	—	The value at reading is undefined. Set "0" when writing.	—
1	—		—
2	—		—
3	—		—
4	—		—
5	—		—
6	—		—
7	—		—
8	—		—
9	—		—
10	—		—
11	—		—
12	—		—
13	—		—
14	—		—
15	—		—

• Control DI 8

Bit	Symbol	Description	Reference
0	—	The value at reading is undefined. Set "0" when writing.	—
1	—		—
2	—		—
3	—		—
4	—		—
5	—		—
6	—		—
7	—		—
8	—		—
9	—		—
10	—		—
11	—		—
12	—		—
13	—		—
14	—		—
15	—		—

• Control DI 9

Bit	Symbol	Description	Reference
0	—	The value at reading is undefined. Set "0" when writing.	—
1	—		—
2	—		—
3	—		—
4	—		—
5	—		—
6	—		—
7	—		—
8	—		—
9	—		—
10	—		—
11	—		—
12	—		—
13	—		—
14	—		—
15	—		—

• Control DI 10



Bit	Symbol	Description	Reference
0	—	The value at reading is undefined. Set "0" when writing.	—
1	—		—
2	—		—
3	—		—
4	—		—
5	—		—
6	—		—
7	—		—
8	—		—
9	—		—
10	—		—
11	—		—
12	—		—
13	—		—
14	—		—
15	—		—

7.3 Statusword/Status DO

The Statusword objects and the Status DO x objects notify the master station of the PDS state and other drive states. States defined by CiA 402 are notified by using [Obj. 6041h], and states defined by Mitsubishi Electric are notified by using [Obj. 2D11h].

Index	Sub	Object	Name	Data Type	Access	Description
6041h	—	VAR	Statusword	U16	ro	—
2D11h	—	VAR	Status DO 1	U16	ro	Object defined by Mitsubishi Electric
2D02h	—	VAR	Status DO 2	U16	ro	Object defined by Mitsubishi Electric
:	:	:	:	:	:	:

Bit definition of Statusword

Bit	Symbol	Description
0	RTSO	Ready-to-switch-on
1	SO	Switch-on
2	OE	Operation-enabled
3	F	Fault
4	VE	Voltage-enabled 0: The bus voltage is lower than the specified (RA) level. 1: The bus voltage is equal to or higher than the specified level.
5	QS	Quick stop 0: In a Quick stop 1: Not in a Quick stop (including in the test mode)
6	SOD	Switch on disabled
7	W	Warning 0: No warning has occurred. 1: A warning has occurred.
8	—	The value at reading is undefined.
9	RM	Remote 0: Not following the Controlword command. 1: Operating in accordance with the Controlword command.
10	OMS	Operation Mode Specific The contents differ depending on the setting of [Modes of operation (Obj. 6060h)]. Refer to "Control mode [G]" in the following manual.  IMR-J5 User's Manual (Function)
11	ILA	Internal limit active 0: The forward rotation stroke end, reverse rotation stroke end, and software position limit have not been reached. 1: The forward rotation stroke end, reverse rotation stroke end, or software position limit has been reached. (Enabled in csp, csv, pp, pv, hm, pt, or jg mode)
12	OMS	Operation Mode Specific The contents differ depending on the setting of [Modes of operation (Obj. 6060h)]. Refer to "Control mode [G]" in the following manual.  IMR-J5 User's Manual (Function)
13		
14	—	The value at reading is undefined.
15		

Bit 0 to Bit 3, Bit 5, and Bit 6 are switched depending on the PDS state (servo amplifier internal state). Refer to the following table for details.

Statusword (bin)	PDS state
x0xx xxx0 x0xx 0000	Not ready to switch on *1
x0xx xxx0 x1xx 0000	Switch on disabled
x0xx xxx0 x01x 0001	Ready to switch on
x0xx xxx0 x01x 0011	Switched on
x0xx xxx0 x01x 0111	Operation enabled
x0xx xxx0 x00x 0111	Quick stop active
x0xx xxx0 x0xx 1111	Fault reaction active
x0xx xxx0 x0xx 1000	Fault

*1 Statusword is not sent when in the "Not ready to switch on" state.

Bit definition of Status DO

With the communication function, the on/off state of the output device can be checked by reading the following objects.

- Status DO 1

Bit	Symbol	Description	Reference
0	—	The value at reading is undefined.	—
1	—		—
2	S_SA	Speed reached	Refer to "Signal (device) explanations" in the following manual. IMR-J5 User's Manual (Hardware) IMR-J5D User's Manual (Hardware)
3	S_MBR	Electromagnetic brake interlock	
4	S_CDPS	Variable gain enabled	
5	S_CLDS	Fully closed loop control switching in progress	
6	—	The value at reading is undefined.	
7	—		—
8	—		—
9	—		—
10	—		—
11	—		—
12	S_INP	In-position	Refer to "Signal (device) explanations" in the following manual. IMR-J5 User's Manual (Hardware) IMR-J5D User's Manual (Hardware)
13	S_TLC	Limiting torque	
14	S_ABSV	Absolute position erased	
15	S_BWNG	Battery warning	

• Status DO 2

Bit	Symbol	Description	Reference
0	S_ZPASS	Z-phase already passed After the Z-phase passed, S_ZPASS turns on.	—
1	—	The value at reading is undefined.	—
2	—		—
3	S_ZSP	Zero speed detection	Refer to "Signal (device) explanations" in the following manual. ■IMR-J5 User's Manual (Hardware) ■IMR-J5D User's Manual (Hardware)
4	S_VLC	Limiting speed	
5	—	The value at reading is undefined.	—
6	S_IPF	In IPF During instantaneous power failure, S_IPF is on.	—
7	—	The value at reading is undefined.	—
8	S_PC	Under proportional control S_PC is turned on under proportional control.	—
9	—	The value at reading is undefined.	—
10	S_DB	External dynamic brake output	—
11	—	The value at reading is undefined.	—
12	—		—
13	—		—
14	—		—
15	S_ZP2	Homing completion 2 When homing completes successfully, S_ZP2 turns on.	—


• Status DO 3

Bit	Symbol	Description	Reference
0	—	The value at reading is undefined.	—
1	—		—
2	—		—
3	—		—
4	—		—
5	S_STO	In STO state S_STO turns on in STO state.	Refer to "Monitor signal (digital) [G]" in the following manual. ■IMR-J5 User's Manual (Function)
6	—	The value at reading is undefined.	—
7	—		—
8	—		—
9	—		—
10	—		—
11	S_MTTR	Transition to tough drive mode in process	Refer to "Tough drive function" in the following manual. ■IMR-J5 User's Manual (Function)
12	—	The value at reading is undefined.	—
13	—		—
14	—		—
15	—		—

• Status DO 4

Bit	Symbol	Description	Reference
0	—	The value at reading is undefined.	—
1	—		—
2	—		—
3	—		—
4	—		—
5	—		—
6	—		—
7	—		—
8	—		—
9	—		—
10	—		—
11	—		—
12	—		—
13	—		—
14	—		—
15	—		—

• Status DO 5

Bit	Symbol	Description	Reference
0	—	The value at reading is undefined.	—
1	—		—
2	—		—
3	—		—
4	S_CDPS2	Variable gain enabled 2	Refer to "GAIN SWITCHING FUNCTION" in the following manual.  MR-J5 User's Manual (Adjustment)
5	S_CPO	Rough match When the command remaining distance is less than the value of the rough match output range set in [Pr. PT12], S_CPO is on. This is not outputted during base circuit shut-off. When the servo amplifier is switched to the servo-on state, S_CPO switches on.	—
6	S_MEND *1	Traveling completion If droop pulses are within the in-position output range set in [Pr. PA10] and the command remaining distance is "0", S_MEND turns on. S_MEND turns on at servo-on. S_MEND is off in the servo-off state.	—
7	—	The value at reading is undefined.	—
8	—		—
9	—		—
10	—		—
11	—		—
12	—		—
13	—		—
14	—		—
15	—		—

*1 Available on servo amplifiers with firmware version B8 or later.

• Status DO 6

Bit	Symbol	Description	Reference
0	—	The value at reading is undefined.	—
1	—		—
2	—		—
3	—		—
4	—		—
5	—		—
6	—		—
7	—		—
8	—		—
9	—		—
10	—		—
11	—		—
12	—		—
13	—		—
14	—		—
15	—		—

• Status DO 7

Bit	Symbol	Description	Reference
0	—	The value at reading is undefined.	—
1	—		—
2	S_POT	Position range When the actual current position is within the range set in [Pr. PT19] and [Pr. PT21], S_POT is on. When homing is not complete or base circuit shut-off is in progress, S_POT is off.	—
3	—	The value at reading is undefined.	—
4	—		—
5	—		—
6	—		—
7	—		—
8	—		—
9	—		—
10	—		—
11	—		—
12	—		—
13	—		—
14	—		—
15	—		—

• Status DO 8

Bit	Symbol	Description	Reference
0	—	The value at reading is undefined.	—
1	—		—
2	—		—
3	—		—
4	—		—
5	—		—
6	—		—
7	—		—
8	—		—
9	—		—
10	—		—
11	—		—
12	—		—
13	—		—
14	—		—
15	—		—

• Status DO 9

Bit	Symbol	Description	Reference
0	—	The value at reading is undefined.	—
1	—		—
2	—		—
3	—		—
4	—		—
5	—		—
6	—		—
7	—		—
8	—		—
9	—		—
10	—		—
11	—		—
12	—		—
13	—		—
14	—		—
15	—		—

• Status DO 10

Bit	Symbol	Description	Reference
0	—	The value at reading is undefined.	—
1	—		—
2	—		—
3	—		—
4	—		—
5	—		—
6	—		—
7	—		—
8	—		—
9	—		—
10	—		—
11	—		—
12	—		—
13	—		—
14	—		—
15	—		—

7.4 Control mode

Point

- In the initial setting, the cyclic synchronous position mode is set. When using the servo amplifier in the cyclic synchronous position mode, update the position with the upper controller at servo-on.
 - When using the servo amplifier in the profile mode, switch the control mode to the profile mode during servo-off and then change the servo state to servo-on.
 - Switching the control mode without update of the position may cause an unexpected operation of the servo motor such as sudden acceleration.
-

Selecting control mode (Modes of operation)

Specify a control mode with [Modes of operation (Obj. 6060h)]. [Modes of operation] can be rewritten with a PDO or an SDO. The available control modes are limited as follows depending on the setting value of [Pr. PT01.2].

○: Supported, —: Not supported

[Pr. PA01.0]	[Pr. PT01.2]	pp	pv	tq	hm	csp	csv	cst	yg ^{*1}	pt ^{*1}	6061h Initial value
0	0 (mm) ^{*3}	—	—	—	—	—	—	—	—	—	8 (csp)
	1 (inch) ^{*3}	—	—	—	—	—	—	—	—	—	
	2 (degree) ^{*2}	○	○	○	○	—	—	—	—	—	1 (pp)
	3 (pulse)	○	○	○	○	○	○	○	—	—	8 (csp)
6	0 (mm)	—	—	—	○	—	—	—	○	○	-101 (pt)
	1 (inch)	—	—	—	○	—	—	—	○	○	
	2 (degree)	—	—	—	○	—	—	—	○	○	
	3 (pulse)	—	—	—	○	—	—	—	○	○	

*1 Available on servo amplifiers with firmware version B8 or later.

*2 Available on servo amplifiers with firmware version B6 or later.

*3 Setting "0" or "1" in [Pr. PT01.2] triggers [AL. 037 Parameter error].

Index	Sub	Object	Name	Data Type	Access	Description
6060h	—	VAR	Modes of operation	I8	rw	0: No mode change/No mode assigned 1: Profile position mode (pp) 3: Profile velocity mode (pv) 4: Profile torque mode (tq) 6: Homing mode (hm) 8: Cyclic sync position mode (csp) 9: Cyclic sync velocity mode (csv) 10: Cyclic sync torque mode (cst) -100: Jog mode (yg) ^{*1} -101: Point table Mode (pt) ^{*1}
6061h	—	VAR	Modes of operation display	I8	ro	0: No mode assigned 1: Profile position mode (pp) 3: Profile velocity mode (pv) 4: Profile torque mode (tq) 6: Homing mode (hm) 8: Cyclic sync position mode (csp) 9: Cyclic sync velocity mode (csv) 10: Cyclic sync torque mode (cst) -100: Jog mode (yg) ^{*1} -101: Point table Mode (pt) ^{*1}
6502h	—	VAR	Supported drive modes	U32	ro	Bit =1 for the following modes bit 0: Profile position mode bit 2: Profile velocity mode bit 3: Profile torque mode bit 5: Homing mode bit 7: Cyclic sync position mode bit 8: Cyclic sync velocity mode bit 9: Cyclic sync torque mode bit 16: Jog mode (yg) ^{*1} bit 17: Point table Mode (pt) ^{*1}

*1 Available on servo amplifiers with firmware version B8 or later.

Control switching

Point

- Changes to the OMS Bit of [Controlword (Obj. 6040h)] are not accepted until control switching is complete. Before inputting a command, check that the control mode has been switched by referring to [Modes of operation display (Obj. 6061h)].
 - Update [Target position (Obj. 607Ah)] and [Position offset (Obj. 60B0h)] to [Position actual value (Obj. 6064h)] when changing the control mode from a mode other than the cyclic synchronous position mode (csp) to the cyclic synchronous position mode (csp).
-

Control switching between position/speed/torque modes

As there is a time lag when switching between control modes, the controller needs to keep sending the command values of the corresponding control modes until the mode is completely switched. After the completion of the control mode switching is confirmed by [Modes of operation display (Obj. 6061h)], the controller can stop sending the command value relative to the control mode before switching.

Before switching to or from the position mode, check that the servo motor is in zero speed state. Data of whether the servo motor is in zero speed state can be obtained by Bit 3 (S_ZSP) of [Status DO 2 (Obj. 2D12h)]. If the motor is not in the zero speed state, the control will not be switched and therefore [Modes of operation display (Obj. 6061h)] will not change. To switch the control mode even if the motor is not in zero speed state, set [Pr. PC76.1 ZSP disabled selection at control switching] to "1" to disable the monitoring of zero speed state. When the monitoring of zero speed state is disabled, a shock may occur at control switching.

Control switching between cyclic mode (csp/csv/cst) and profile mode (pp/pv/tq)

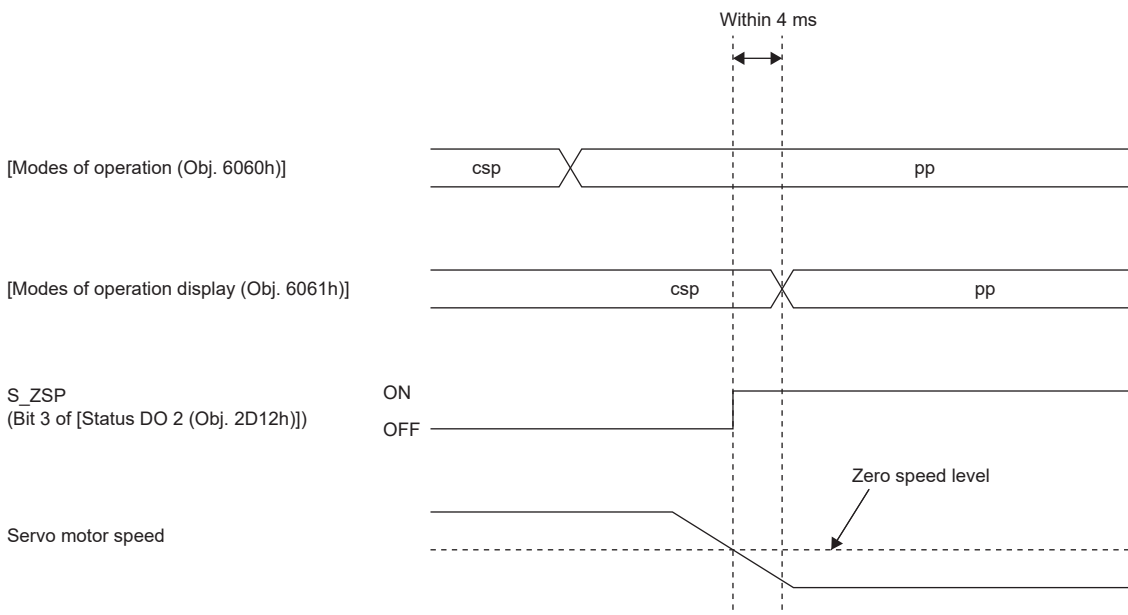
The control mode is switched between the cyclic mode (csp, csv, and cst) and the profile mode (pp, pv, and tq) only if the condition for control switching is met, following which [Modes of operation display (Obj. 6061h)] is changed. If the condition for control switching is not met, the control mode will not be switched and the value in [Modes of operation display (Obj. 6061h)] will not be changed. The condition for control switching is "Motor being stopped".

"Motor being stopped" means that S_ZSP (Bit 3 of [Status DO 2 (Obj. 2D12h)]) is on.

(Servo motor speed being less than zero speed set in [Pr. PC07])

Setting "1" (Disabled (Control switching is performed regardless of the range of ZSP)) to [Pr. PC76.1] enables the control mode to be switched without checking the condition "Motor being stopped" on the servo amplifier. Set "1" to [Pr. PC76.1] only if switching the control mode without waiting for the motor to stop. Switching the control mode without waiting for the motor to stop may cause a shock.

The following shows a timing chart of control switching from the cyclic mode (csp, csv, cst) to the profile mode (pp, pv, tq).




Control switching in positioning mode

Refer to "Control switching in positioning mode" in the following manual.

MR-J5 User's Manual (Function)

8 STARTUP

For the startup procedures other than the network settings, refer to the following user's manual.

 MR-J5-G-N1/MR-J5W-G-N1 User's Manual (Introduction)

 MR-J5D-G-N1 User's Manual (Introduction)

Point

Switching SW3-1 "OFF (down)" and SW3-2 "ON (up)" of the DIP switch (SW3) triggers [AL. 011.2 Disabled axis setting error] when using the 1-axis servo amplifier.

Precautions

To ensure the safety of the system against unauthorized network access, take security measures such as using a firewall.

8.1 Absolute position detection system configuration

Summary

Controllers not using homing mode with the servo amplifier manage the home position via the controller, so setting of a home position is not performed for the servo amplifier. Refer to this section for information about how to configure the absolute position detection system for controllers not using homing mode with the servo amplifier.

When using homing mode with the servo amplifier, refer to "Control mode [G]" in the following manual.

 MR-J5 User's Manual (Function)

Precautions and restrictions

- [Pr. PC41.0 [AL. 090.1 Homing incomplete] detection selection] can only be used in the cyclic synchronous position mode (csp).
- Setting of a home position is not performed for the servo amplifier, so the software limit function ([Software position limit (Obj. 607Dh)]) cannot be used.
- When [AL. 025 Absolute position erased] occurs, perform homing again via the controller to prevent an unexpected operation.
- Do not rotate the servo motor in excess of 2147483647 pulses while an EtherCAT communication is not established. Doing so causes the controller to be unable to correctly restore to the current position when the EtherCAT communication is established.
- Once the relevant settings for the absolute position detection system have been performed, the absolute position cannot be managed with the servo amplifier. To prevent unexpected operation, perform management of the absolute position via the controller.

Startup procedure

Battery installation

If using a servo motor that requires installation of a battery in order to configure the absolute position detection system, install the battery as necessary.

Parameter setting

■Absolute position detection system selection

To enable the absolute position detection system, set [Pr. PA03.0] to "1" (enabled (absolute position detection system)).

■[AL. 0E3 Absolute position counter warning] selection

If the travel distance from the home position is 32768 rev or more, [AL. 0E3.1] occurs.

To disable [AL. 0E3], set [Pr. PC29.5 [AL. 0E3 Absolute position counter warning] selection] to "0" (disabled).

■[AL. 090.1 Homing incomplete] detection selection

[AL. 090.1] occurs at servo-on if a home position has not been set for the servo amplifier.

To disable [AL. 090.1], set [Pr. PC41.0 [AL. 090.1 Homing incomplete] detection selection] to "1" (disabled).

[AL. 025.1 Servo motor encoder absolute position erased] deactivation

[AL. 025.1 Servo motor encoder absolute position erased] occurs when initial settings for the absolute position detection system are performed.

Wait for 5 seconds, then cycle the power to deactivate the alarm.

Homing

Be sure to perform homing before performing positioning operation.

8.2 Connecting Ethernet cables

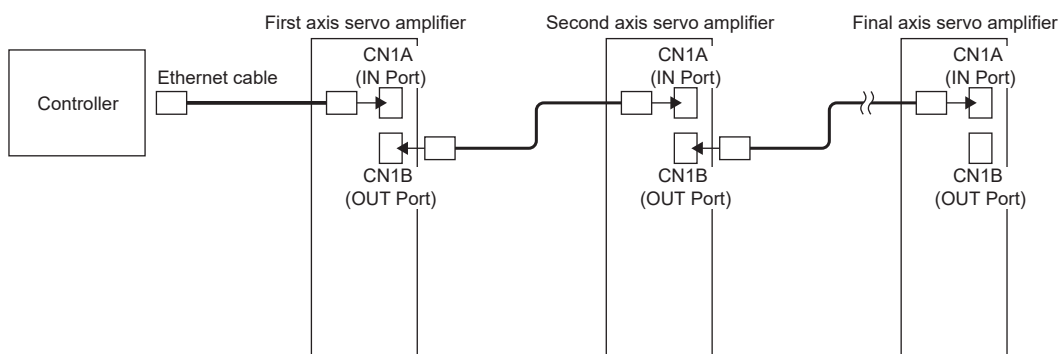
Point

- Use a twisted pair cable (double shielded) compliant with Ethernet Category 5e (100BASE-TX) or higher as an Ethernet cable. The maximum cable length between nodes is 100 m.
- When connecting Ethernet cables to servo amplifiers, be aware that CN1A is the IN port and CN1B is the OUT port.

Connect the Ethernet cable connected to the controller or the preceding servo amplifier to CN1A (IN port). Connect the Ethernet cable connected with the succeeding servo amplifier to CN1B (OUT port). Leave CN1B (OUT port) open if not using it.

When the node address is not used, an incorrect connection destination sets node addresses that do not correspond to the actual connection order and may cause a malfunction, such as an operation of an unintended axis.

The following figure shows a connection example.



8.3 Example set-up procedure

Set up the controller by following its manual. An example set-up procedure is shown below.

Controller settings

ESI file installation

Point 

Use the latest ESI file when setting up a controller. If the ESI file is old, newly added objects may not be usable. For the ESI files usable with your servo amplifier, contact your local sales office.

Store the EtherCAT Slave Information (ESI) file, which lists information about the communication settings of devices, on the controller. The controller configures settings of connected slave stations in accordance with their ESI files. In addition, the ENI file is generated from the online information that is read from the object dictionary or the EEPROM in the slave station (or both). For details, refer to the manual for the controller being used.

Node address setting

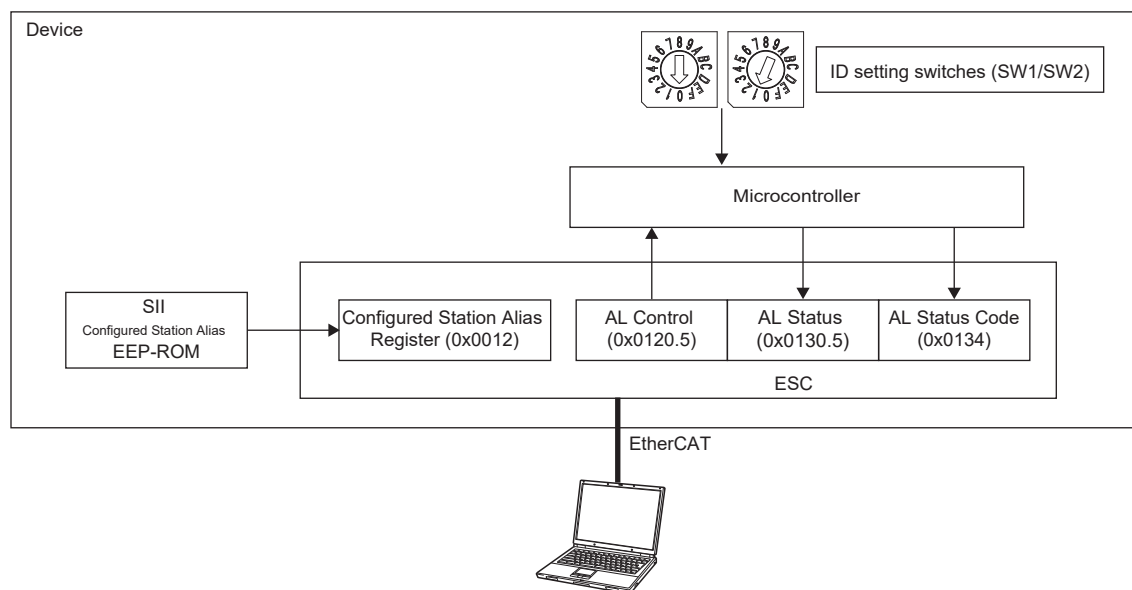
Point 

The node address of a servo amplifier is set according to Explicit Device Identification. Configure the settings complied with Explicit Device Identification to the controller.
Do not connect several devices which have the same node address setting.

Set a node address in EtherCAT as necessary with ID setting switches (SW1/SW2) on the display, [Pr. NPA09 Node address setting], or with SII Configured Station Alias. After the node address settings are changed, cycle the power.

■ Identifying slave stations with node addresses

The controller can identify slave stations by the node address using AL Status Code (ESC register: 0134h) or Configured Station Alias (ESC register: 0012h). Identify the slave stations by using either code.



- Identifying with AL Status Code (ESC register: 0134h)

Set the node address with the ID setting switches (SW1/SW2) or [Pr. NPA09] by referring to the following table. Set the master station using AL Status Code (ESC register: 0134h) so that the node address is recognized.

The set node address will be displayed on the 7-segment LED.

When using [Pr. NPA09] for the node address, set the ID setting switches (SW1/SW2) to "00h".

When using the ID setting switches (SW1/SW2) for the node address, the setting value of [Pr. NPA09] is not reflected in the node address.

ID setting switches (SW1/SW2)	[Pr. NPA09]	Node address	7-segment LED
00h	00000000h to 0000FFFFh	The setting value of [Pr. NPA09] is the node address.	Displays the lower two digits of the setting value of [Pr. NPA09].
01h to FFh	—	The node address comprises of the setting values of ID setting switches (SW1/SW2).	Displays the setting values of the ID setting switches (SW1/SW2).

- Identifying with Configured Station Alias (ESC register: 0012h)

Write the value of the node address to SII Configured Station Alias (ESC register: 0012h) from the master station (controller). The node address is saved on EEPROM. Set the master station so that SII Configured Station Alias (ESC register: 0012h) is recognized as a node address.

The setting values of the ID setting switches (SW1/SW2) or [Pr. NPA09] will be displayed on the 7-segment LED. For the value displayed on the 7-segment LED, refer to the table in "Identifying with AL Status Code (ESC register: 0134h)".

Mapping settings

When mapping objects that transmit command data and feedback data using PDO communication, perform the settings via the controller.

For information regarding the default mappings of the servo amplifier, refer to the following section.

☞ Page 16 PDO default mapping

Communication setting

For settings related to communication between the controller and servo amplifier, perform the settings via the controller. For information regarding settable communication cycles, refer to the following section.

☞ Page 9 Communication specifications

For the servo amplifier, synchronous mode (DC mode) and asynchronous mode (FreeRun mode) can be set. Set the mode that is appropriate for the application.

Establishing the communication

Start communication with the controller, then confirm that the 7-segment LED display is correct. (For example, "r01" is displayed if the first axis is used.)

Follow the manual for the controller being used when starting communication.

If [AL. 086.1 Network receive data error (Network communication error 1)] occurs, set a threshold in [Pr. PN18 Counter level for communication error detection] or [Sync Error Counter Limit (Obj. 10F1h: 02h)] that is appropriate for the controller being used.

Operating the servo motor

An example procedure for operating in cyclic synchronous position mode (csp) is shown below.

Homing mode settings

To operate in cyclic synchronous position mode (csp), first perform homing. Set [Modes of operation (Obj. 6060h)] to "6" (Homing mode), then confirm that [Modes of operation display (Obj. 6061h)] has changed to "6" (Homing mode). For information regarding the settings of other control modes, refer to the following section.

☞ Page 40 Control mode

If performing homing via the controller without using Homing mode, refer to the following section.

☞ Page 44 Absolute position detection system configuration

Servo-on

Set the control command issued from the controller to [Controlword (Obj. 6040h)], then change the internal state of the servo amplifier to the "servo-on" state.

For details regarding servo amplifier internal states, refer to the following section.

☞ Page 24 PDS state transitions

Homing

Set a homing method in [Homing method (Obj. 6098h)], then perform homing.

For details regarding homing, refer to "Homing mode (hm) and homing" in the following manual.

📖 MR-J5 User's Manual (Function)

Starting servo motor operation

Confirm that homing is complete, then change the control mode to the cyclic synchronous position mode. Drive the servo motor by giving commands to [Target position (Obj. 607Ah)], etc. in accordance with the desired operation pattern.

Disconnecting the network

To disconnect the network when stopping the operation of equipment, follow the procedure shown below. Failing to follow the procedure exactly may cause [AL. 086.1 Network communication error 1] to occur.

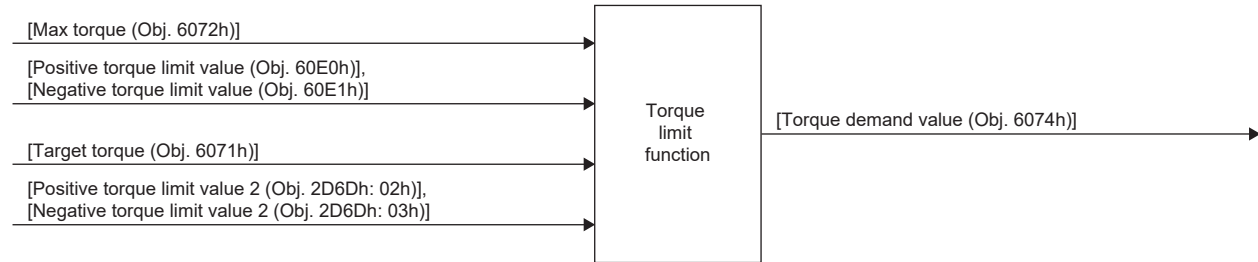
1. Stop the servo motor.
2. Set the Shutdown command for [Controlword (Obj. 6040h)] to establish the servo-off state.
3. Switch the state to the Pre-Operational state.
4. Shut off the power of the servo amplifier and the controller.

9 MANUFACTURER-SPECIFIC FUNCTION

9.1 Torque limit selection

The torque limit selection function is a function that switches the torque limit value by using Bit 11 (CPTL) and Bit 12 (CNTL) of [Controlword (Obj. 6040h)].

The settings of the torque limit selection ([Obj. 2D6Dh]) are as follows.



Torque limit

Index	Sub	Name	Data Type	Access	PDO Mapping
2D6Dh	0	Positive/Negative torque limit 2 setting	U8	ro	Impossible
	1	Positive/Negative torque limit 2 select	U16	rw	
	2	Positive torque limit value 2			
	3	Negative torque limit value 2			

Index	Sub	Default	Range	Units	Save	Parameter
2D6Dh	0	3	3h to 3h (3)	—	Impossible	—
	1	0	0000h to 0001h (1)	—	Possible	[Pr. PC42]
	2	10000	0 to 10000	per thousand of rated torque		POL disabled: [Pr. PC43 Forward rotation torque limit 2] POL enabled: [Pr. PC44 Reverse rotation torque limit 2]
	3	10000	POL disabled: [Pr. PC44 Reverse rotation torque limit 2] POL enabled: [Pr. PC43 Forward rotation torque limit 2]			

For the combinations of servo parameters and objects that are switched by CPTL/CNTL, refer to the following table.

[Pr. PC42.0]/ [Positive/Negative torque limit 2 select (Obj. 2D6Dh: 01h)]	Forward rotation torque limit value		Reverse rotation torque limit value	
	CPTL: 0	CPTL: 1	CNTL: 0	CNTL: 1
0h/ 0000h	[Pr. PA11]/ [Positive torque limit value (Obj. 60E0h)]	[Pr. PA11]/ [Positive torque limit value (Obj. 60E0h)]	[Pr. PA12]/ [Negative torque limit value (Obj. 60E1h)]	[Pr. PA12]/ [Negative torque limit value (Obj. 60E1h)]
1h/ 0001h	[Pr. PA11]/ [Positive torque limit value (Obj. 60E0h)]	[Pr. PC43]/ [Positive torque limit value2 (Obj. 2D6Dh: 02h)]	[Pr. PA12]/ [Negative torque limit value (Obj. 60E1h)]	[Pr. PC44]/ [Negative torque limit value2 (Obj. 2D6Dh: 03h)]

REVISIONS

*The manual number is given on the bottom left of the back cover.

Revision date	*Manual number	Description
January 2020	SH(NA)-030371ENG-A	First edition
July 2020	SH(NA)-030371ENG-B	<ul style="list-style-type: none"> ■Added/edited: Section 1.3, Chapter 8 ■Deleted: Section 7.5
November 2020	SH(NA)-030371ENG-C	<ul style="list-style-type: none"> ■The following functions are added and changed: Cyclic asynchronous mode, degree unit, identifying slave stations with node addresses ■Added/edited: Section 4.3, Section 6.1, Section 6.3, Section 7.4, Section 8.3
March 2021	SH(NA)-030371ENG-D	<ul style="list-style-type: none"> ■The following function is added: Positioning mode (point table method) ■Edited sections: Section 1.1, Section 4.3, Section 4.5, Section 6.1, Section 7.3, Section 7.4
June 2021	SH(NA)-030371ENG-E	<ul style="list-style-type: none"> ■The following model is added: MR-J5D_-_G_ ■Edited: Section 2.1, Section 6.2, Section 7.2, Section 8.2

This manual confers no industrial property rights or any rights of any other kind, nor does it confer any patent licenses. Mitsubishi Electric Corporation cannot be held responsible for any problems involving industrial property rights which may occur as a result of using the contents noted in this manual.

© 2020 MITSUBISHI ELECTRIC CORPORATION

WARRANTY

Warranty

1. Warranty period and coverage

We will repair any failure or defect hereinafter referred to as "failure" in our FA equipment hereinafter referred to as the "Product" arisen during warranty period at no charge due to causes for which we are responsible through the distributor from which you purchased the Product or our service provider. However, we will charge the actual cost of dispatching our engineer for an on-site repair work on request by customer in Japan or overseas countries. We are not responsible for any on-site readjustment and/or trial run that may be required after a defective unit are repaired or replaced.

[Term]

For terms of warranty, please contact your original place of purchase.

[Limitations]

(1) You are requested to conduct an initial failure diagnosis by yourself, as a general rule.

It can also be carried out by us or our service company upon your request and the actual cost will be charged. However, it will not be charged if we are responsible for the cause of the failure.

(2) This limited warranty applies only when the condition, method, environment, etc. of use are in compliance with the terms and conditions and instructions that are set forth in the instruction manual and user manual for the Product and the caution label affixed to the Product.

(3) Even during the term of warranty, the repair cost will be charged on you in the following cases;

1. a failure caused by your improper storing or handling, carelessness or negligence, etc., and a failure caused by your hardware or software problem
2. a failure caused by any alteration, etc. to the Product made on your side without our approval
3. a failure which may be regarded as avoidable, if your equipment in which the Product is incorporated is equipped with a safety device required by applicable laws and has any function or structure considered to be indispensable according to a common sense in the industry
4. a failure which may be regarded as avoidable if consumable parts designated in the instruction manual, etc. are duly maintained and replaced
5. any replacement of consumable parts (battery, fan, smoothing capacitor, etc.)
6. a failure caused by external factors such as inevitable accidents, including without limitation fire and abnormal fluctuation of voltage, and acts of God, including without limitation earthquake, lightning and natural disasters
7. a failure generated by an unforeseeable cause with a scientific technology that was not available at the time of the shipment of the Product from our company
8. any other failures which we are not responsible for or which you acknowledge we are not responsible for

2. Term of warranty after the stop of production

(1) We may accept the repair at charge for another seven (7) years after the production of the product is discontinued. The announcement of the stop of production for each model can be seen in our Sales and Service, etc.

(2) Please note that the Product (including its spare parts) cannot be ordered after its stop of production.

3. Service in overseas countries

Our regional FA Center in overseas countries will accept the repair work of the Product. However, the terms and conditions of the repair work may differ depending on each FA Center. Please ask your local FA center for details.

4. Exclusion of loss in opportunity and secondary loss from warranty liability

Regardless of the gratis warranty term, Mitsubishi shall not be liable for compensation to:

- (1) Damages caused by any cause found not to be the responsibility of Mitsubishi.
- (2) Loss in opportunity, lost profits incurred to the user by Failures of Mitsubishi products.
- (3) Special damages and secondary damages whether foreseeable or not, compensation for accidents, and compensation for damages to products other than Mitsubishi products.
- (4) Replacement by the user, maintenance of on-site equipment, start-up test run and other tasks.

5. Change of Product specifications

Specifications listed in our catalogs, manuals or technical documents may be changed without notice.

6. Application and use of the Product

- (1) For the use of our AC Servo, its applications should be those that may not result in a serious damage even if any failure or malfunction occurs in AC Servo, and a backup or fail-safe function should operate on an external system to AC Servo when any failure or malfunction occurs.
- (2) Our AC Servo is designed and manufactured as a general purpose product for use at general industries. Therefore, applications substantially influential on the public interest for such as atomic power plants and other power plants of electric power companies, and also which require a special quality assurance system, including applications for railway companies and government or public offices are not recommended, and we assume no responsibility for any failure caused by these applications when used.
In addition, applications which may be substantially influential to human lives or properties for such as airlines, medical treatments, railway service, incineration and fuel systems, man-operated material handling equipment, entertainment machines, safety machines, etc. are not recommended, and we assume no responsibility for any failure caused by these applications when used. We will review the acceptability of the abovementioned applications, if you agree not to require a specific quality for a specific application. Please contact us for consultation.

TRADEMARKS

MELSERVO is a trademark or registered trademark of Mitsubishi Electric Corporation in Japan and/or other countries.
EtherCAT® is a registered trademark and patented technology licensed by Beckhoff Automation GmbH, Germany.
All other product names and company names are trademarks or registered trademarks of their respective companies.

SH(NA)-030371ENG-E(2106)MEE

MODEL:

MODEL CODE:

mitsubishi electric corporation

HEAD OFFICE : TOKYO BUILDING, 2-7-3 MARUNOUCHI, CHIYODA-KU, TOKYO 100-8310, JAPAN
NAGOYA WORKS : 1-14, YADA-MINAMI 5-CHOME, HIGASHI-KU, NAGOYA, JAPAN

When exported from Japan, this manual does not require application to the
Ministry of Economy, Trade and Industry for service transaction permission.

Specifications are subject to change without notice.