



# Kontaktbuchse 1 mm

Einsatzbereich: - 723 htec  
- 740 htec

Best.-Nr.: 60.279.11

## Elektrische Werte

Bemessungsstrom max. 10 A\*  
Durchgangswiderstand < 5 mOhm

## Werkstoff

Kontakt Messing, vergoldet

## Anschluss

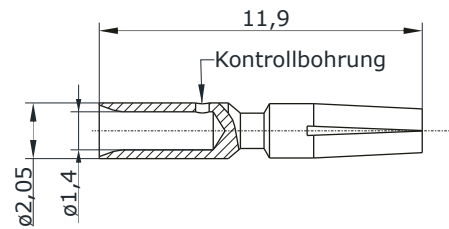
Anschlussart crimp  
Anschlussbereich 0,14 - 1,0 mm<sup>2</sup>  
Abisolierlänge 4 mm  
Crimpeinstellungen sind individuell zu wählen

## Mechanische Werte

Steckzyklen 500

## Werkzeuge (nicht im Lieferumfang enthalten)

digitale Crimpzange Best.-Nr.: C0.235.00  
(Positioniereinsatz für digitale Crimpzange Best.-Nr.: C0.265.00)



## Hauptabmessungen

Kontaktbuchse



for: - 723 htec  
- 740 htec

order code: 60.279.11



### Electrical Data

rated current max. 10 A\*  
contact resistance < 5 mOhm

### Material

contact brass, gold plated

### Termination

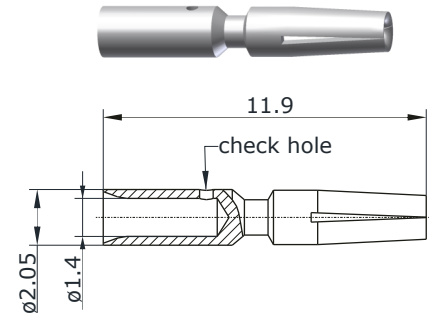
kind of termination crimp  
cross-section 0.14 - 1.0 mm<sup>2</sup>  
stripping length 4 mm  
crimp settings select individually

### Mechanical Data

mating cycles 500

### Tools (not part of product contents)

digital crimping tool order code: C0.235.00  
(positioner for digital crimping tool order code: C0.265.00)



### Main Dimensions

contact socket

Y6.C600.EN issued: 22.05.2010/GG; modified: 18.07.2016/Sa

Copyright by Intercontec Produkt GmbH, Germany.  
All rights, including rights created by patent grant or registration of a utility model or design, are reserved.  
Noncompliance will result in seeking damages.

This document is for information only and before utilization the user must reconfirm actuality.  
Subject to technical changes.

INTERCONTEC Produkt GmbH  
Bernrieder Str. 15, 94559 Niederwinkling  
Tel.: +49 9962/ 2002-0, Fax: +49 9962/ 2002-70  
E-Mail: info@intercontec.biz  
Web: www.intercontec.biz



\* for max. wire cross-section